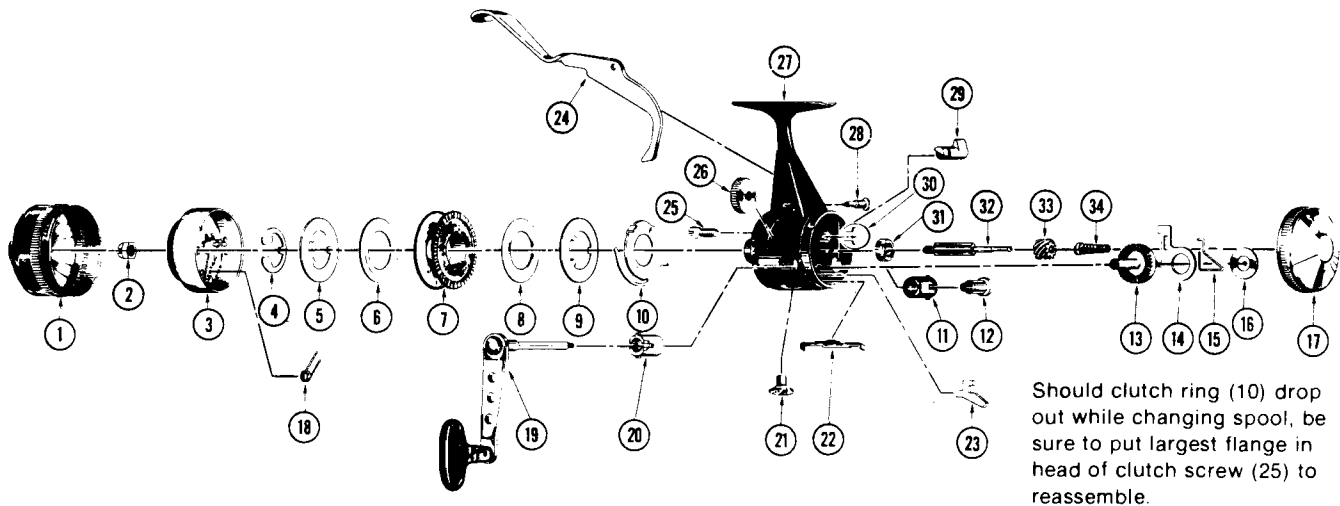


ZEBCO 144™ (Gold)

CLOSED-FACE SPINNING REEL

weight	3.7 oz./105 g		
pound test	4	6	8
yards	85	60	45
meters	78	55	41
gear ratio	4.1:1		



Should clutch ring (10) drop out while changing spool, be sure to put largest flange in head of clutch screw (25) to reassemble.

MODEL 144 (Gold)

WWW.REELDR.COM

Key No.	Part No.	Description	Key No.	Part No.	Description
1	BJ324-3	Front Cover (Gold)	18	AJ049	Spinner Head Spring
2	AJ006	Spinner Head Nut	19	BJ318-2	Handle Assy. (Gold)
3	AJ310	Spinner Head Assy.	20	BJ026	Crank Bearing
4	XZ034	Spool Clip	21	AJ055	Cover Lock Screw
5	BJ040	Spool Washer	22	BJ056	Cover Lock Nut
6	BJ108	Flat Washer	23	BJ060	Anti-Reverse Pawl
7	AJ021	Spool (Empty)	24	BJ050	Finger Brake
	AJ321-6T	Spool w/6# Trilene	25	BJ054	Clutch Screw
8	BJ108	Flat Washer	26	BJ032	Clutch Wheel
9	BJ040	Spool Washer	27	BJ301-2	Body (G) w/Bearing
10	BJ027	Clutch Ring	28	BJ126	Finger Brake Screw
11	BJ026	Crank Bearing	29	BJ002	Anti-Reverse Actuator
12	BJ069	Crank Rod Nut	30	BJ121	Retainer Clip
13	BJ012	Crank Gear	31	BJ017	Center Shaft Bearing
14	BJ014	Anti-Reverse Drag	32	BJ015	*Center Shaft
15	BJ061	Anti-Rev. Pawl Spring	33	BJ011	*Pinion Gear
16	BJ106	Thrust Washer	34	BJ020	*Center Shaft Spring
17	BJ023-3	Back Cover (Gold)			

*Available as One Unit,
BJ315 Center Shaft Assy.

PLEASE ORDER BY PART NUMBER

Zebco Division Brunswick Corporation, Box 270, Tulsa, OK 74101 USA 918-836-5581