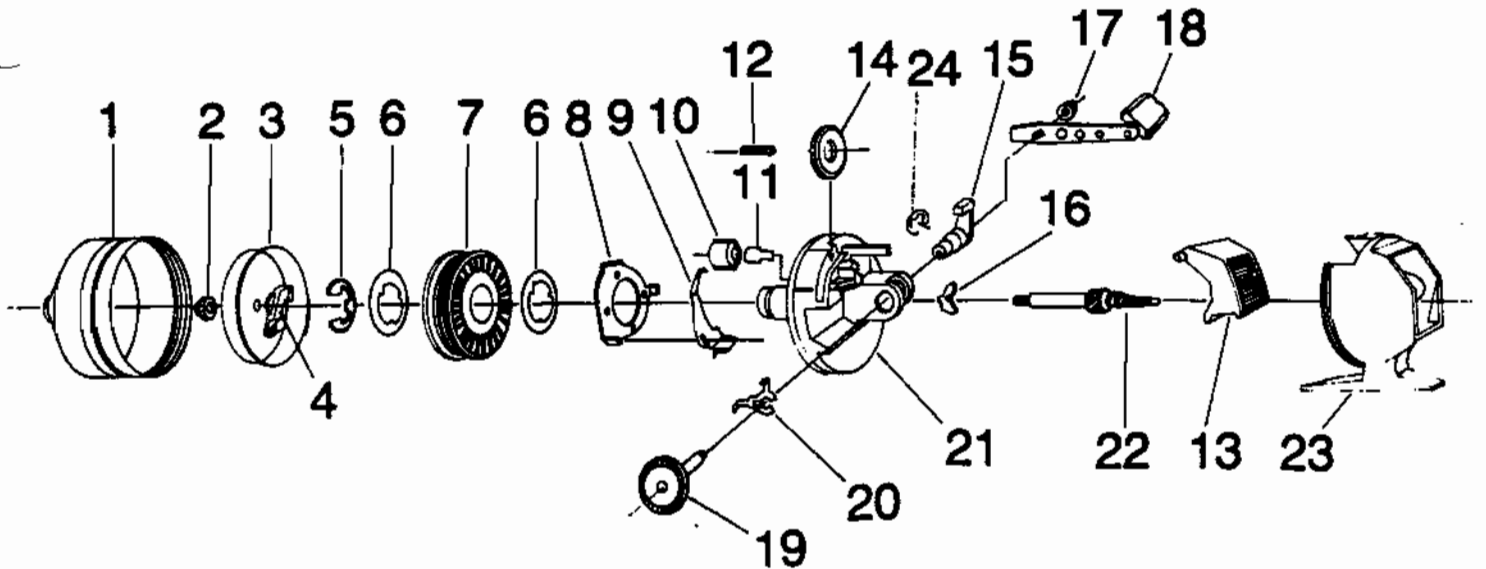


REBCO 12/20, 12/20N



Should the anti-reverse pawl (17) drop out while changing spool, be sure to place back into body assembly with largest flange pointing toward base of reel as shown in diagram. Make sure the arm of the pawl actuator (21) rests in the center of the anti-reverse pawl to reassemble.

1220

KEY PART NO. NO.	DESCRIPTION
1 AE324	FRONT COVER S/A
* 2 JZ006	SPINNERHEAD NUT
3 AE310	SPINNERHEAD
4 Z2049	PICKUP PIN FLAT SPRING
5 JY034	SPOOL CLIP
6 NY040	SPOOL WASHER
7 JY021	SPOOL
7 JY321-8P	WIND SPOOL 8# LINE
8 AE027	CLUTCH RING
9 RY033	RATCHET SPRING
10 AE169	PISTON WITH SPRING
11 AE168	DUAL DRAG CLICK SPRING
12 BJ054-2	CLUTCH SCREW
13 AB009	THUMB STOP
14 RY332-1	DRAG ADJ. WHEEL S/A
15 AE026	DRAG LEVER
16 JY060	ANTI-REVERSE PAWL
17 AZ003	CRANK NUT
18 AE318	CRANK HANDLE S/A
19 JY308	CRANK GEAR SUB-ASSEMBLY
20 JY061	PAWL ACTUATOR
21 AE301	BODY (22, 12, 14, 9)
22 WY315-2	CENTER SHAFT ASSY.
23 AE323	BACK COVER S/A
24 JY121	RETAINER CLIP

1220N

KEY PART NO. NO.	DESCRIPTION
1 Z2324-4	FRONT COVER S/A
3 JY310	SPINNERHEAD
4 JY049	PICKUP PIN ARM SPRING
5 JY034	SPOOL CLIP
6 NY040	SPOOL WASHER
7 JY021	SPOOL
7 JY321-8P	WIND SPOOL 8# LINE
8 AE027	CLUTCH RING
9 RY033	RATCHET SPRING
10 AE169	PISTON WITH SPRING
11 AE168	DUAL DRAG CLICK SPRING
12 BJ054-2	CLUTCH SCREW
13 AB009	THUMB STOP
14 RY332-1	DRAG ADJ. WHEEL S/A
15 AE026-3	DRAG LEVER
16 JY060	ANTI-REVERSE PAWL
17 AZ003	CRANK NUT
18 AE318	CRANK HANDLE S/A
19 JY308	CRANK GEAR SUB-ASSEMBLY
20 JY061	PAWL ACTUATOR
21 AE301-2	1220N/606 BODY S/A
22 WY315-2	CENTER SHAFT S/A
23 AE323-2	BACK COVER/THUMBSTOP S/A
24 JY121	RETAINER CLIP

*Key #2 (Spinner Head Nut) only needed in Model 1220.

WWW.REELDR.COM

Prices subject to change without notice. Prices do not include postage and handling.

PLEASE ORDER BY PART NUMBER

Rev. 11/90

Reeco Division Brunswick Corporation, Box 270, Tulsa, OK 74101 USA 918-636-6681

