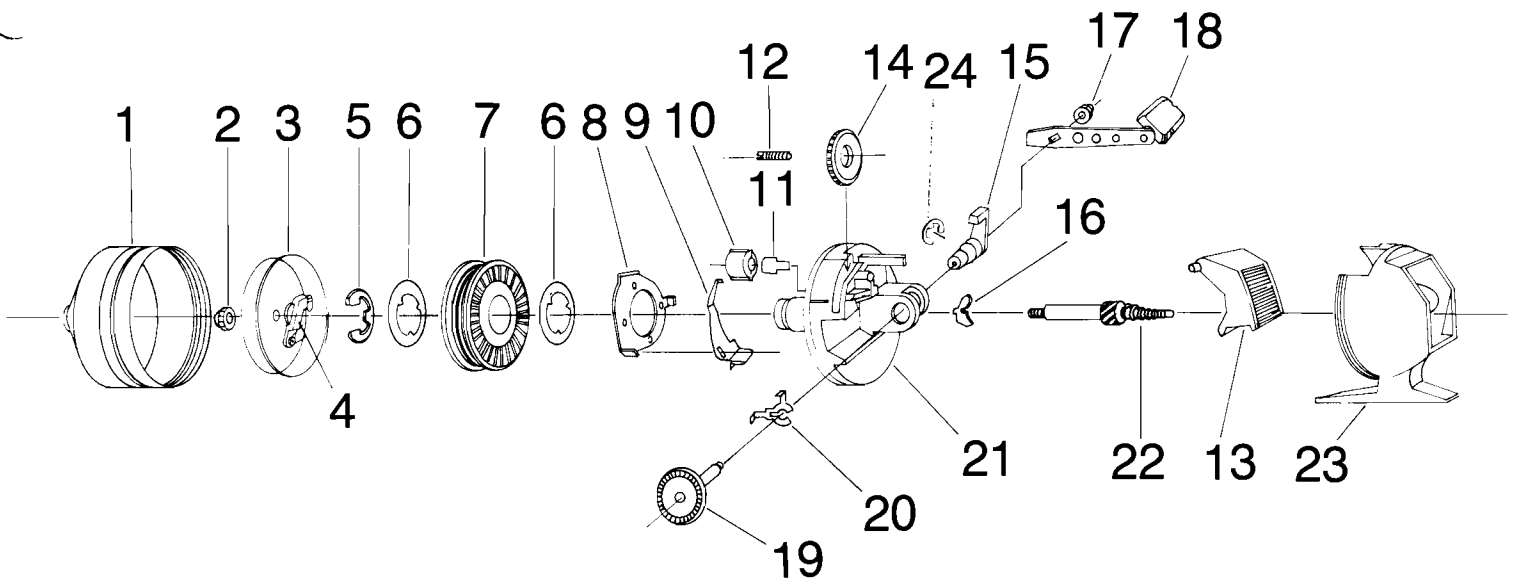


LEBCO 12/20, 12/20N



Should the anti-reverse pawl (17) drop out while changing spool, be sure to place back into body assembly with largest flange pointing toward base of reel as shown in diagram. Make sure the arm of the pawl actuator (21) rests in the center of the anti-reverse pawl to reassemble.

KEY PART

NO. NO.	DESCRIPTION
* 1 AE324	FRONT COVER S/A
1 ZZ324-4	FRONT COVER S/A (1220N)
** 2 JZ006	SPINNER HEAD NUT
* 3 AE310	SPINNERHEAD S/A
4 ZZ049	PICKUP PIN FLAT SPRING
4 JY049	PICKUP PIN ARM SPRING (1220N)
5 JY034	SPOOL CLIP
6 NY040	SPOOL WASHER
7 JY021	SPOOL
7 JY321-8P	WIND SPOOL 8# LINE
8 AE027	CLUTCH RING
9 RY033	RATCHET SPRING
10 AE169	PISTON WITH SPRING
11 AE168	DUAL DRAG CLICK SPRING
12 BJ054	CLUTCH SCREW

KEY PART

NO. NO.	DESCRIPTION
13 AE009	CAM PLATE SCREW
14 RY332	DRAG ADJ WHEEL S/A
* 15 AE026	DRAG LEVER
15 AE026-3	DRAG LEVER (1220N)
16 JY060	ANTI-REVERSE PAWL
17 AZ003	CRANK NUT
18 AE318	CRANK HANDLE S/A
19 JY308	CRANK GEAR SUB-ASSEMBLY
20 JY061	PAWL ACTUATOR
* 21 AE301	BODY (22,12,14,9)
21 AE301-2	1220N/606 BODY S/A
* 22 NY315-2	CENTER SHAFT ASSY.
22 NY315-2	CENTER SHAFT S/A (1220N)
* 23 AE323	BACK COVER S/A
23 AE323-2	BACK COVER/THUMBSTOP (1220N)
** 24 JY121	RETAINER CLIP

* Note: 1220 Models produced before August 1986 feature gray back cover and other special parts noted above. Models produced after August 1986 carry service model number 1220N, and feature a maroon back cover and other special parts noted above.

** Note: Part is needed for model 12/20 only.

WWW.REELDR.COM

Prices subject to change without notice. Prices do not include postage and handling.

PLEASE ORDER BY PART NUMBER

Rev. 9/88

Leico Division Brunswick Corporation, Box 270, Tulsa, OK 74101 USA 918-836-5581

