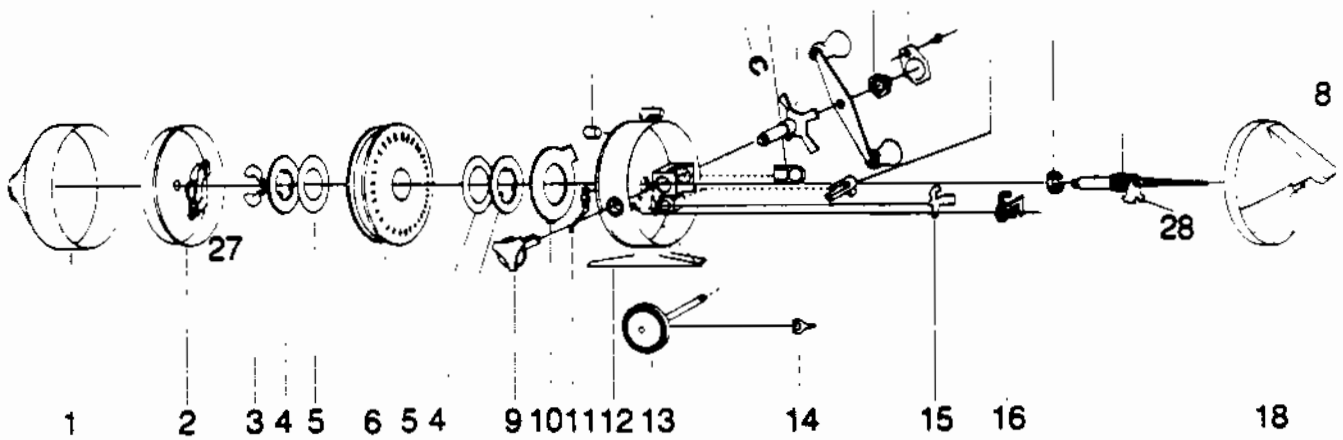


ZEBCO 1 CLASSIC

30 31 19 20 21 22 23 24 25 26 29 17



WWW.REELDR.COM

Key No.	Part No.	Description	Price	Key No.	Part No.	Description	Price
1	KZ324	FRONT COVER	5.78	26	RY002	ANTI-REVERSE KNOB	.74
2	KZ310	SPINNER HEAD S/A	6.45	27	JY049	PICKUP PIN ARM SPRING	.44
3	RY034-1	SPOOL RETAINER CLIP	.44	28	KZ065	ACTUATOR	.68
4	CJ040-1	SPOOL WASHER (METAL)	.95	29	AZ028	BALL BEARING	6.63
5	CJ108-1	FLAT WASHER	.38	30	KZ169	SPOOL LOCK PLUNGER	.62
6	KZ021	SPOOL	3.00	31	KZ164	SPOOL LOCK LEVER	.42
6	KZ321-14H	WOUND SPOOL W/14# MONO HP	5.90	32	KZ086	DRIVE STUD	.36
7	KY026-5	CRANK BUSHING	2.83				
8	KZ309	THUMBSTOP S/A	1.36				
9	KZ019	BAIT ALERT KNB	.49				
10	KZ027	CLUTCH RING	.85				
11	RY033	RATCHET SPRING	.49				
12	KZ301	BODY S/A	12.59				
13	KY308-1	CRANK SHAFT S/A	3.20				
14	JY061	PAWL ACTUATOR	.44				
15	KZ060	ACTUATOR PAWL	.56				
16	KZ014	BAIT CLICKER	.68				
17	KZ315	CENTER SHAFT S/A	3.80				
18	KZ323	BACK COVER ASSY	5.83				
19	JY121	RETAINER CLIP	.38				
20	KZ054	DRAG ACTUATOR SLIDE	.99				
21	KZ032	DRAG STAR	1.36				
22	KZ318-6	CRANK HANDLE S/A	3.69				
23	VY003	CRANK NUT	.56				
24	VY056	NUT LOCK	.25				
25	VY057	SCREW	.20				

Prices subject to change without notice. Prices do not include postage and handling.

PLEASE ORDER BY PART NUMBER

Rev. 5/93

Zebco Division Brunswick Corporation, Box 270, Tulsa, OK 74101 USA 918-836-5581

