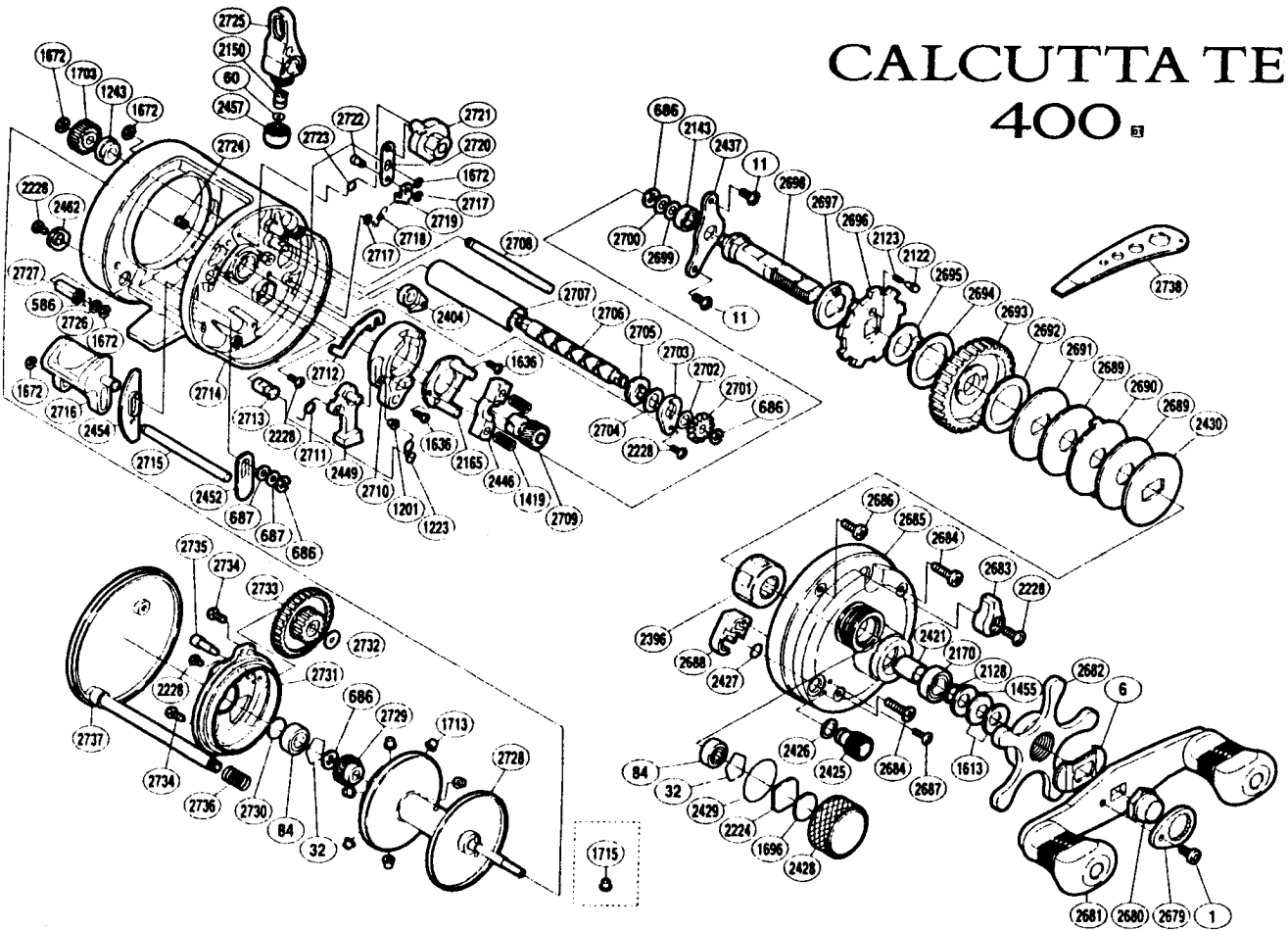


# CALCUTTA TE 400 ET



BNT No.	PARTS NAMES	BNT No.	PARTS NAMES	BNT No.	PARTS NAMES
0001	Handle Nut Plate Screw	2429	"O" Ring	2706	Worm Shaft
0006	Friction Washer (A)	2430	Key Washer	2707	Level Wind Guard
0011	Drive Shaft Retainer Screw	2437	Drive Shaft Retainer	2708	Level Wind Guide
0032	Bearing Retainer	2446	Yoke	2709	Pinion Gear (A)
0060	Spacer (optional)	2449	Clutch Pawl	2710	Clutch Cam
0084	Ball Bearing (1.64G)	2452	Clutch Bar Guide (A)	2711	Clutch Pawl Spring
0586	Bolt Retainer	2454	Clutch Bar Guide (B)	2712	Clutch Plate
0686	Click Pawl Retainer	2457	Pawl Cap	2713	Retractor Spring Pin
0687	Click Pawl Spacer	2462	Damper Guide	2714	One-Piece Frame
1201	Retractor Spring Collar	2679	Handle Nut Plate	2715	Clutch Bar Support
1223	Retractor Spring	2680	Handle Nut	2716	Quick-Fire II Clutch Bar
1243	Worm Bushing (B)	2681	Handle Assembly	2717	"E" Lock
1419	Yoke Spring	2682	Star Drag	2718	Click Spring
1455	Drag Spring Washer (H)	2683	Click Switch	2719	Click Pawl
1613	Drag Spring Washer (L)	2684	Right Side Plate Screw (A)	2720	Click Link
1636	Clutch Cam Screw	2685	Right Side Plate	2721	Click Switch Cam
1672	"E" Lock	2686	Right Side Plate Screw (B)	2722	Click Link Pin
1696	Cast Control Spacer (B)	2687	Cam Backing Plate Screw	2723	Click Switch Spring
1703	Idle Gear (C)	2688	Cam Backing Plate	2724	Click Spring Pin
1713	Brake Collar (green)	2689	Drag Washer (A)	2725	Line Guide
2122	Drag Click Pin	2690	Key Washer (B)	2726	Damper Washer
2123	Drag Click Spring	2691	Base Drag Disc	2727	Damper (A)
2128	Bearing Washer	2692	Drag Washer (C)	2728	Spool Assembly
2143	Ball Bearing	2693	Drive Gear	2729	Idle Gear (A)
2150	Line Guide Pawl	2694	Drag Washer (A)	2730	Spacer (B)
2165	Clutch Cam Retainer	2695	Drag Click Plate	2731	Brake Case
2170	Star Drag Bearing	2696	Anti-Reverse Ratchet	2732	Idle Gear "B" Washer
2224	Spool Tension Spacer (A)	2697	Drag Click Pin Holder	2733	Idle Gear "B"
2228	Clutch Cam Screw	2698	Drive Shaft	2734	Brake Case Screw
2396	Roller Clutch Bearing	2699	Drive Shaft Washer (A)	2735	Idle Gear Shaft
2404	Anti-Reverse Pawl	2700	Drive Shaft Washer (B)	2736	Left Side Plate Spring
2421	Roller Clutch Inner Tube	2701	Click Gear	2737	Left Side Plate
2425	Side Plate Open Nut	2702	Worm Shaft Washer (B)		
2426	Open Nut Washer	2703	Worm Bushing (A) Retainer	1715	Brake Collar (red)
2427	"O" Ring	2704	Worm Shaft Washer (A)		
2428	Cast Control Cap	2705	Worm Bushing (A)	2738	Wrench (accessory)