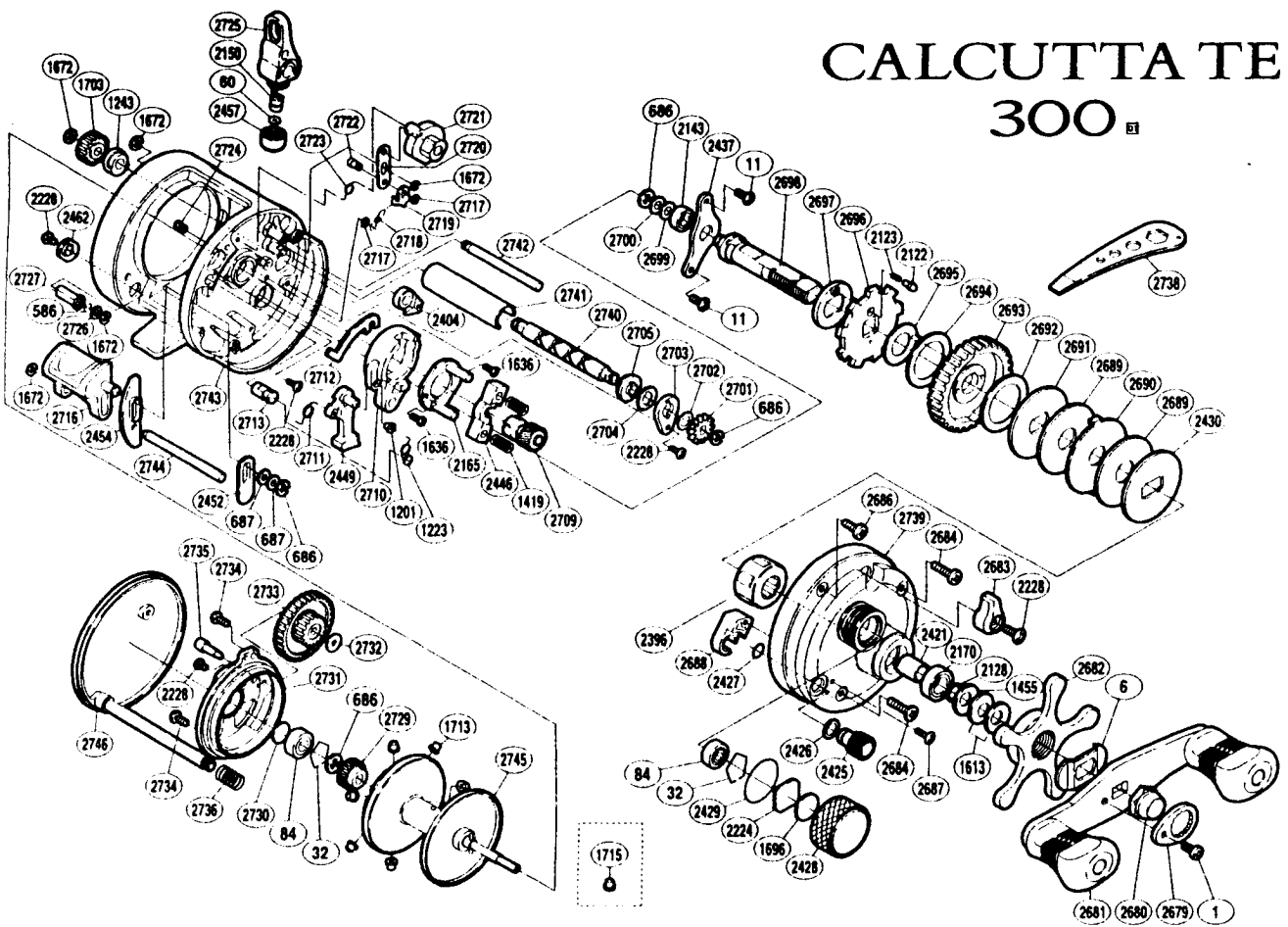


CALCUTTA TE 300 ET



BNT No.	PARTS NAMES	BNT No.	PARTS NAMES	BNT No.	PARTS NAMES
0001	Handle Nut Plate Screw	2429	"O" Ring	2710	Clutch Cam
0006	Friction Washer (A)	2430	Key Washer	2711	Clutch Pawl Spring
0011	Drive Shaft Retainer Screw	2437	Drive Shaft Retainer	2712	Clutch Plate
0032	Bearing Retainer	2446	Yoke	2713	Retractor Spring Pin
0060	Spacer (optional)	2449	Clutch Pawl	2716	Quick-Fire II Clutch Bar
0084	Ball Bearing (1.64G)	2452	Clutch Bar Guide (A)	2717	"E" Lock
0586	Bolt Retainer	2454	Clutch Bar Guide (B)	2718	Click Spring
0686	Click Pawl Retainer	2457	Pawl Cap	2719	Click Pawl
0687	Click Pawl Spacer	2462	Damper Guide	2720	Click Link
1201	Retractor Spring Collar	2679	Handle Nut Plate	2721	Click Switch Cam
1223	Retractor Spring	2680	Handle Nut	2722	Click Link Pin
1243	Worm Bushing (B)	2681	Handle Assembly	2723	Click Switch Spring
1419	Yoke Spring	2682	Star Drag	2724	Click Spring Pin
1455	Drag Spring Washer (H)	2683	Click Switch	2725	Line Guide
1613	Drag Spring Washer (L)	2684	Right Side Plate Screw (A)	2726	Damper Washer
1636	Clutch Cam Screw	2686	Right Side Plate Screw (B)	2727	Damper (A)
1672	"E" Lock	2687	Cam Backing Plate Screw	2729	Idle Gear (A)
1696	Cast Control Spacer (B)	2688	Cam Backing Plate	2730	Spacer (B)
1703	Idle Gear (C)	2689	Drag Washer (A)	2731	Brake Case
1713	Brake Collar (green)	2690	Key Washer (B)	2732	Idle Gear "B" Washer
2122	Drag Click Pin	2691	Base Drag Disc	2733	Idle Gear "B"
2123	Drag Click Spring	2692	Drag Washer (C)	2734	Brake Case Screw
2128	Bearing Washer	2693	Drive Gear	2735	Idle Gear Shaft
2143	Ball Bearing	2694	Drag Washer (A)	2736	Left Side Plate Spring
2150	Line Guide Pawl	2695	Drag Click Plate	2739	Right Side Plate
2165	Clutch Cam Retainer	2696	Anti-Reverse Ratchet	2740	Worm Shaft
2170	Star Drag Bearing	2697	Drag Click Pin Holder	2741	Level Wind Guard
2224	Spool Tension Spacer (A)	2698	Drive Shaft	2742	Level Wind Guide
2228	Clutch Cam Screw	2699	Drive Shaft Washer (A)	2743	One-Piece Frame
2396	Roller Clutch Bearing	2700	Drive Shaft Washer (B)	2744	Clutch Bar Support
2404	Anti-Reverse Pawl	2701	Click Gear	2745	Spool Assembly
2421	Roller Clutch Inner Tube	2702	Worm Shaft Washer (B)	2746	Left Side Plate
2425	Side Plate Open Nut	2703	Worm Bushing (A) Retainer		
2426	Open Nut Washer	2704	Worm Shaft Washer (A)	1715	Brake Collar (red)
2427	"O" Ring	2705	Worm Bushing (A)		
2428	Cast Control Cap	2709	Pinion Gear (A)	2738	Wrench (accessory)

(130718)

Printed in Japan