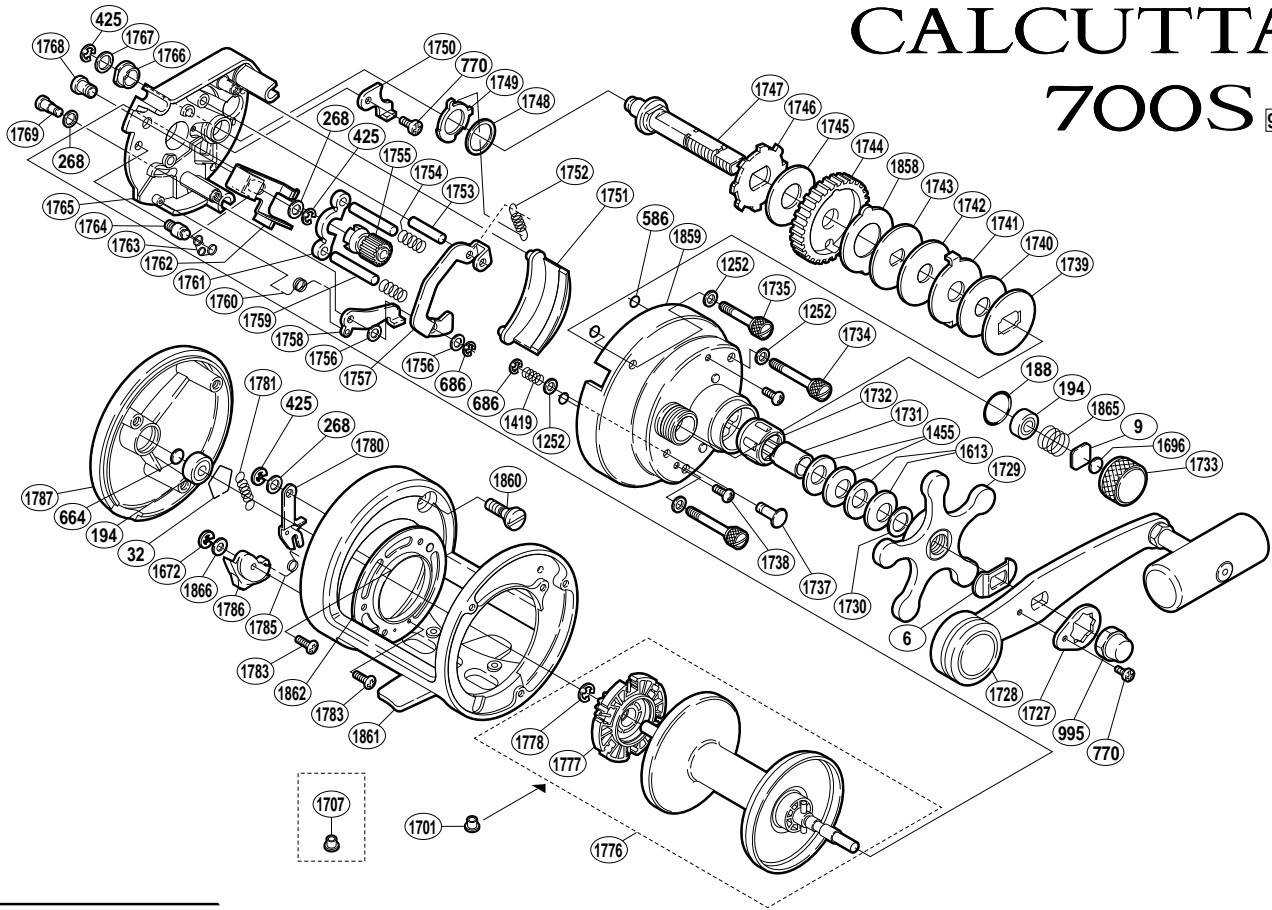


CALCUTTA 700S ⁹⁶



1997-10-7

BNT No.	PARTS NAMES	BNT No.	PARTS NAMES	BNT No.	PARTS NAMES
0006	Friction Washer	1735	Right Side Plate Bolt (B)	1763	Retractor Spring
0009	Cast Control Spacer (A)	1737	Pressure Rivet	1764	Retractor Spring Pin
0032	Bearing Retainer	1738	Set Plate (A) Screw	1765	Set Plate (A)
0188	"O" Ring	1739	Key Washer	1766	Drive Shaft Bushing
0194	Ball Bearing	1740	Drag Washer (D)	1767	Drive Shaft Washer
0268	Washer	1741	Eared Washer (C)	1768	Clutch Button Guide Pin
0425	"E" Lock	1742	Drag Washer (B)	1769	Clutch Pawl Pin
0586	Bolt Retainer	1743	Key Washer (E)	1776	Spool Assembly
0664	Spacer (B)	1744	Drive Gear	1777	Click Gear Assembly
0686	"E" Lock	1745	Drag Washer (G)	1778	"E" Lock
0770	Multi-Purpose Screw	1746	Anti-Reverse Ratchet	1780	Click Pawl
0995	Handle Nut	1747	Drive Shaft	1781	Click Spring
1252	Right Side Plate Bolt Washer	1748	Retraction Cam Washer	1783	Left Side Plate Screw
1419	Spring	1749	Retraction Cam	1785	Click Switch Spring
1455	Drag Spring Washer (H)	1750	Cam Backing Plate	1786	Click Switch
1613	Drag Spring Washer (L)	1751	Plastic Gear Plate	1787	Left Side Plate
1672	"E" Lock	1752	Clutch Retraction Spring	1858	Eared Washer (F)
1696	Cast Control Spacer (B)	1753	Pivot Pin	1859	Right Side Plate
1701	Brake Collar (gray)	1754	Yoke Spring	1860	Left Side Plate Bolt
1727	Handle Nut Plate	1755	Pinion Gear	1861	One-Piece Frame
1728	Handle Assembly	1756	Clutch Spacer	1862	Set Plate (B)
1729	Star Drag	1757	Clutch Plate	1865	Spool Tension Spring
1730	Star Drag Washer	1758	Clutch Pawl	1866	Spacer
1731	Roller Clutch Inner Tube	1759	Yoke Pin		
1732	Roller Clutch Bearing	1760	Clutch Pawl Spring		
1733	Cast Control Cap	1761	Yoke		
1734	Right Side Plate Bolt (A)	1762	Clutch Button	1707	Brake Collar (clear)

(080117)