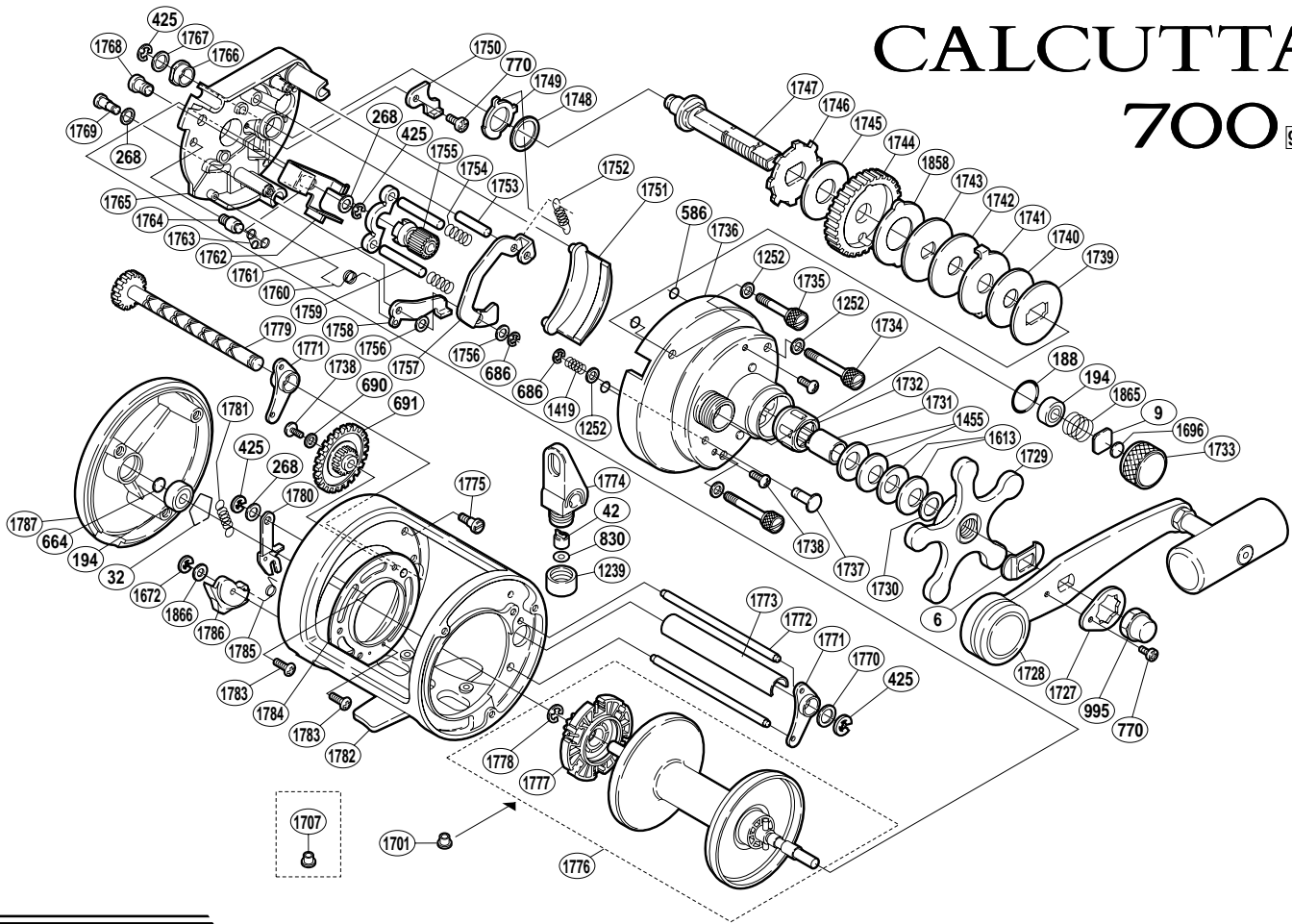


# CALCUTTA 700 <sup>96</sup>



1997-10-7

BNT No.	PARTS NAMES	BNT No.	PARTS NAMES	BNT No.	PARTS NAMES
0006	Friction Washer	1733	Cast Control Cap	1763	Retractor Spring
0009	Cast Control Spacer (A)	1734	Right Side Plate Bolt (A)	1764	Retractor Spring Pin
0032	Bearing Retainer	1735	Right Side Plate Bolt (B)	1765	Set Plate (A)
0042	Line Guide Pawl	1736	Right Side Plate	1766	Drive Shaft Bushing
0188	"O" Ring	1737	Pressure Rivet	1767	Drive Shaft Washer
0194	Ball Bearing	1738	Multi-Purpose Screw (B)	1768	Clutch Button Guide Pin
0268	Washer	1739	Key Washer	1769	Clutch Pawl Pin
0425	"E" Lock	1740	Drag Washer (D)	1770	Worm Shaft Spacer
0586	Bolt Retainer	1741	Eared Washer (C)	1771	Worm Bushing
0664	Spacer (B)	1742	Drag Washer (B)	1772	Stabilizer Bar
0686	"E" Lock	1743	Key Washer (E)	1773	Level Wind Guard
0690	Lock Washer	1744	Drive Gear	1774	Line Guide
0691	Idle Gear "B"	1745	Drag Washer (G)	1775	Left Side Plate Bolt
0770	Multi-Purpose Screw (A)	1746	Anti-Reverse Ratchet	1776	Spool Assembly
0830	Spacer (optional)	1747	Drive Shaft	1777	Click Gear Assembly
0995	Handle Nut	1748	Retraction Cam Washer	1778	"E" Lock
1239	Pawl Cap	1749	Retraction Cam	1779	Worm Shaft
1252	Right Side Plate Bolt Washer	1750	Cam Backing Plate	1780	Click Pawl
1419	Spring	1751	Plastic Gear Plate	1781	Click Spring
1455	Drag Spring Washer (H)	1752	Clutch Retraction Spring	1782	One-Piece Frame
1613	Drag Spring Washer (L)	1753	Pivot Pin	1783	Left Side Plate Screw
1672	"E" Lock	1754	Yoke Spring	1784	Set Plate (B)
1696	Cast Control Spacer (B)	1755	Pinion Gear	1785	Click Switch Spring
1701	Brake Collar (gray)	1756	Clutch Spacer	1786	Click Switch
1727	Handle Nut Plate	1757	Clutch Plate	1787	Left Side Plate
1728	Handle Assembly	1758	Clutch Pawl	1858	Eared Washer (F)
1729	Star Drag	1759	Yoke Pin	1865	Spool Tension Spring
1730	Star Drag Washer	1760	Clutch Pawl Spring	1866	Spacer
1731	Roller Clutch Inner Tube	1761	Yoke		
1732	Roller Clutch Bearing	1762	Clutch Button	1707	Brake Collar (clear)

(071110)