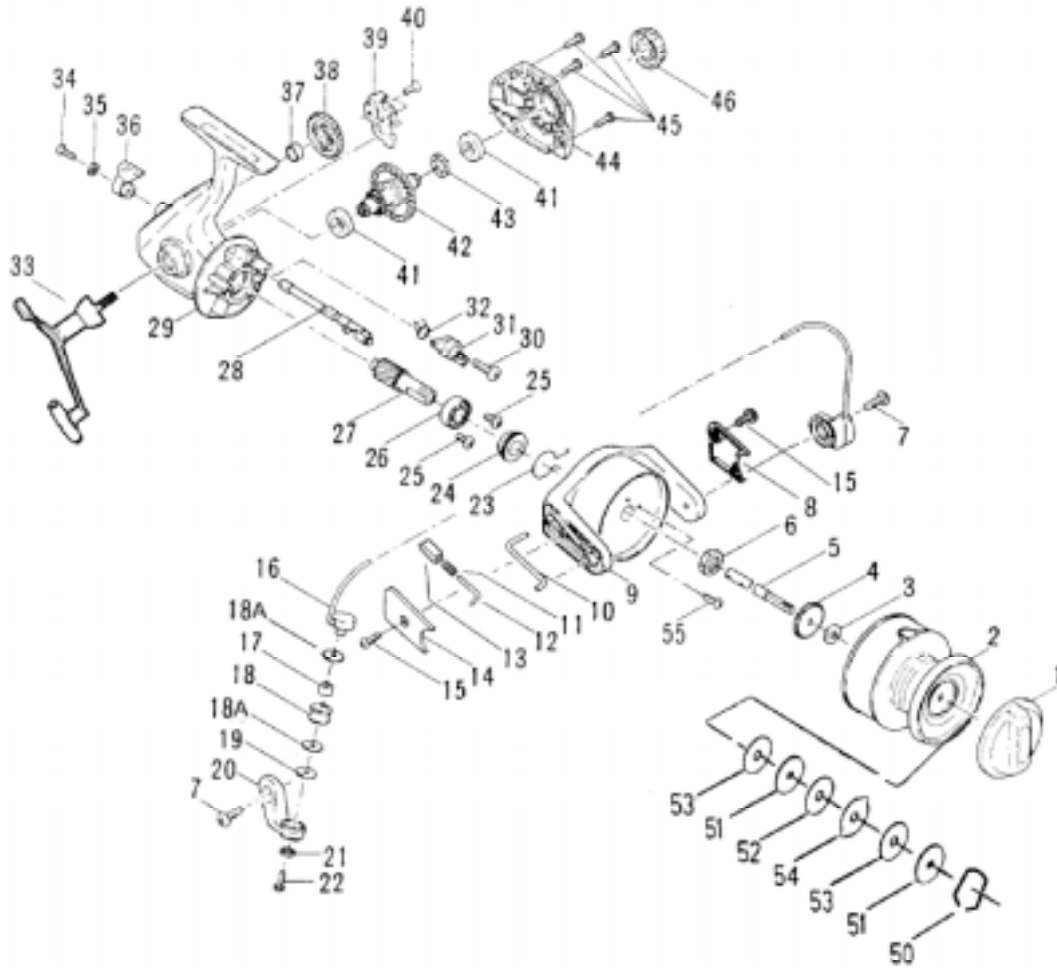




PARTS AND PRICE LIST FOR MODEL PG7000



Key No.	Part No.	Description
1	052 6000	Drag Knob Asm. w/Spring
2	047 6000	Spool Assembly
3	060 6000	Thrust Washer
4	040B6000	Click Ratchet
5	039 6000	Spool Shaft
6	038 6000	Rotor Nut
7	031A3000	Arm Screws (2 req.)
8	227 6000P	Cam Cover
9	027 6000P	Rotor Cup
10	028A6000P	Cam Lever
11	034C6000	Pivot Spring
12	034B6000P	Pivot Shaft
13	034D6000P	Pivot Guide
14	027A6000P	Bail Pivot Cover
15	022 875	Cover Screws (2 req.)
16	024 6000P	Bail Wire Assembly
17	035A3000	Line Roller Bushing
18	035 6000	Line Roller
18A	035B1000P	Line Roller Teflon Washer (2 req.)
19	132 3000	Line Roller Washer
20	034 6000P	Bail Arm
21	036A103	Lock Washer
22	036 1000	Bail Stud Screw
23	230 6000	Silent Dog Spring
24	019A6000	Pinion Spacer
25	022 875	Bearing Mtg. Screw (2 req.)
26	020 6000	Ball Bearing
27	019 6000	Pinion Gear

Key No.	Part No.	Description
28	006A3000	Eccentric Shaft
29	001 6000P	Housing
30	003 6000	Dog Mounting Screw
31	004 6000	Anti-Reverse Dog
32	004A6000	Dog Spring
33	015 6000P	Handle Assembly
34	006F3000	Eccentric Lever Mtg. Screw
35	036A103	Lock Washer
36	006E3000	Eccentric Lever
37	231A3000	Crosswind Gear Bushing
38	231 6000	Crosswind Gear
39	043 6000	Crosswind Gear Block
40	044 6000	Crosswind Gear Block Screw
41	002A6000	Cover & Housing Bushings (2 req.)
42	008 6000P	Main Gear
43	008A6000	Main Gear Shim
44	045 6000P	Housing Cover
45	046 6000	Cover Screws (4 req.)
46	233 3000	Bearing Cover
47	**048 1000P	Spool Click Tongue
48	**049 103CS	Click Tongue Screw
48A	**022 103CS	Click Tongue Spring
50	051 6000	Drag Retaining Ring
51	057 6000	Keyed Drag Washers (3 req.)
52	006 6000	Teflon Drag Washers (3 req.)
53	006 7000	Drag Washer HT-100 (2 req.)
54	058 3000	Ear Drag Washers (1 req.)
55	305 875	Rotor Nut Locking Screw

**Not Shown