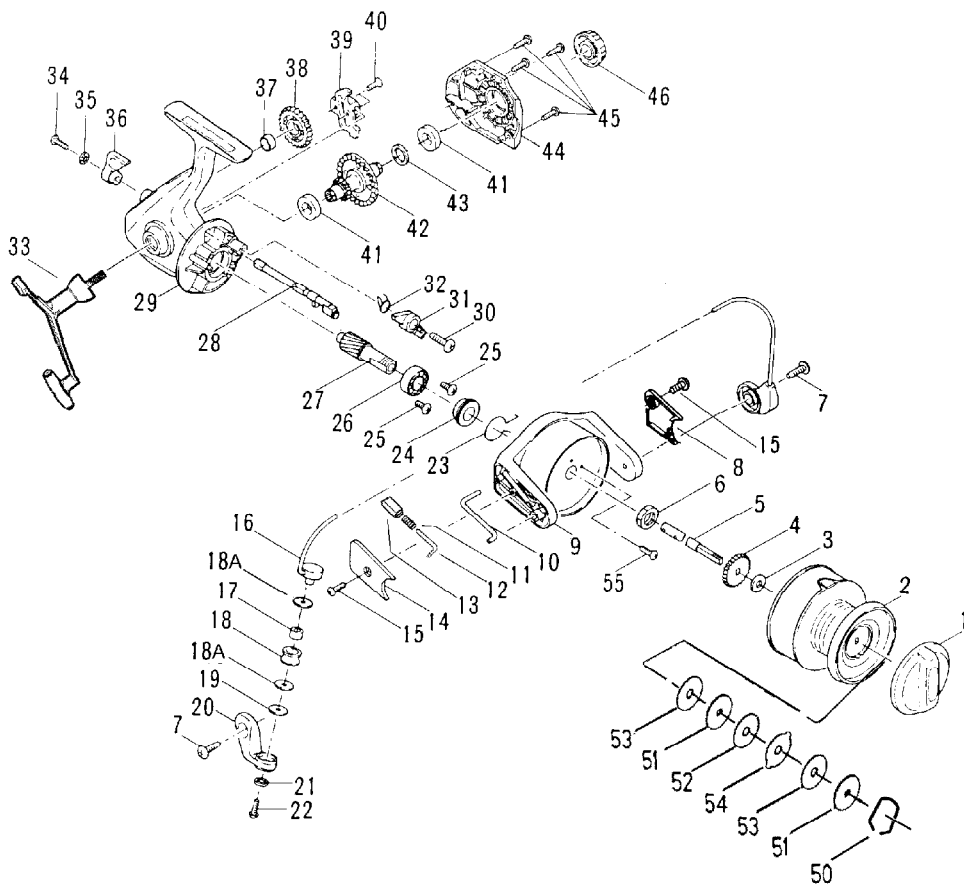




MODEL PG6000

PARTS LIST FOR MODEL PG6000



KEY NO.	PART NO.	DESCRIPTION
1	52-6000	Drag Knob Asm. with Spring
2	47-6000	Spool Assembly
3	60-6000	Thrust Washer
4	40B-6000	Click Ratchet
5	39-6000	Spool Shaft
6	36-6000	Rotor Nut
7	31A-3000	Arm Screw (2)
8	227-6000P	Cam Cover
9	27-6000P	Rotor Cup
10	28A-6000P	Cam Lever
11	34C-6000P	Pivot Spring
12	34B-6000P	Pivot Shaft
13	34D-6000P	Pivot Guide
14	27A-6000P	Bail Pivot Cover
15	22-875	Cover Screw (2)
16	24-6000P	Bail Wire Assembly
17	35A-3000	Line Roller Bushing
18	35-6000	Line Roller
18A	35B-1000P	Line Roller Teflon Washer (2)
19	132-3000	Line Roller Washer
20	34-6000P	Bail Arm
21	036A-103	Lock Washer
22	36-1000	Bail Stud Screw
23	230-6000	Silent Dog Spring
24	19A-6000	Pinion Spacer
25	22-875	Bearing Mtg. Screw (2)
26	20-6000	Ball Bearing
27	19-6000	Pinion Gear
28	6A-6000	Eccentric Shaft
29	1-6000P	Housing
30	3-6000	Dog Mounting Screw
31	4-6000	Anti-Reverse Dog
32	4A-6000	Dog Spring
33	15-6000P	Handle Assembly
34	6F-3000	Eccentric Lever Mtg. Screw
35	036A-103	Lock Washer
36	6E-3000	Eccentric Lever
37	231A-3000	Crosswind Gear Bushing
38	231-6000	Crosswind Gear
39	43-6000	Crosswind Gear Block
40	44-6000	Crosswind Gear Block Screw (2)
41	2A-6000	Cover & Housing Bushing (2)
42	8-6000P	Main Gear
43	8A-6000	Main Gear Shim
44	45-6000P	Housing Cover
45	46-6000	Cover Screw (4)
46	233-3000	Bearing Cover
**47	48-1000P	Spool Click Tongue
**48	049-103CS	Click Tongue Spring
**48A	022-103CS	Click Tongue Screw
50	51-6000	Drag Retaining Ring
51	57-6000	Keyed Drag Washer (2)
52	6-6000	Teflon Drag Washer (1)
53	6-7000	Drag Washer HT-100 (2)
54	58-6000	Ear Drag Washer (1)
55	305-875	Rotor Nut Locking Screw

\*\*Not Shown