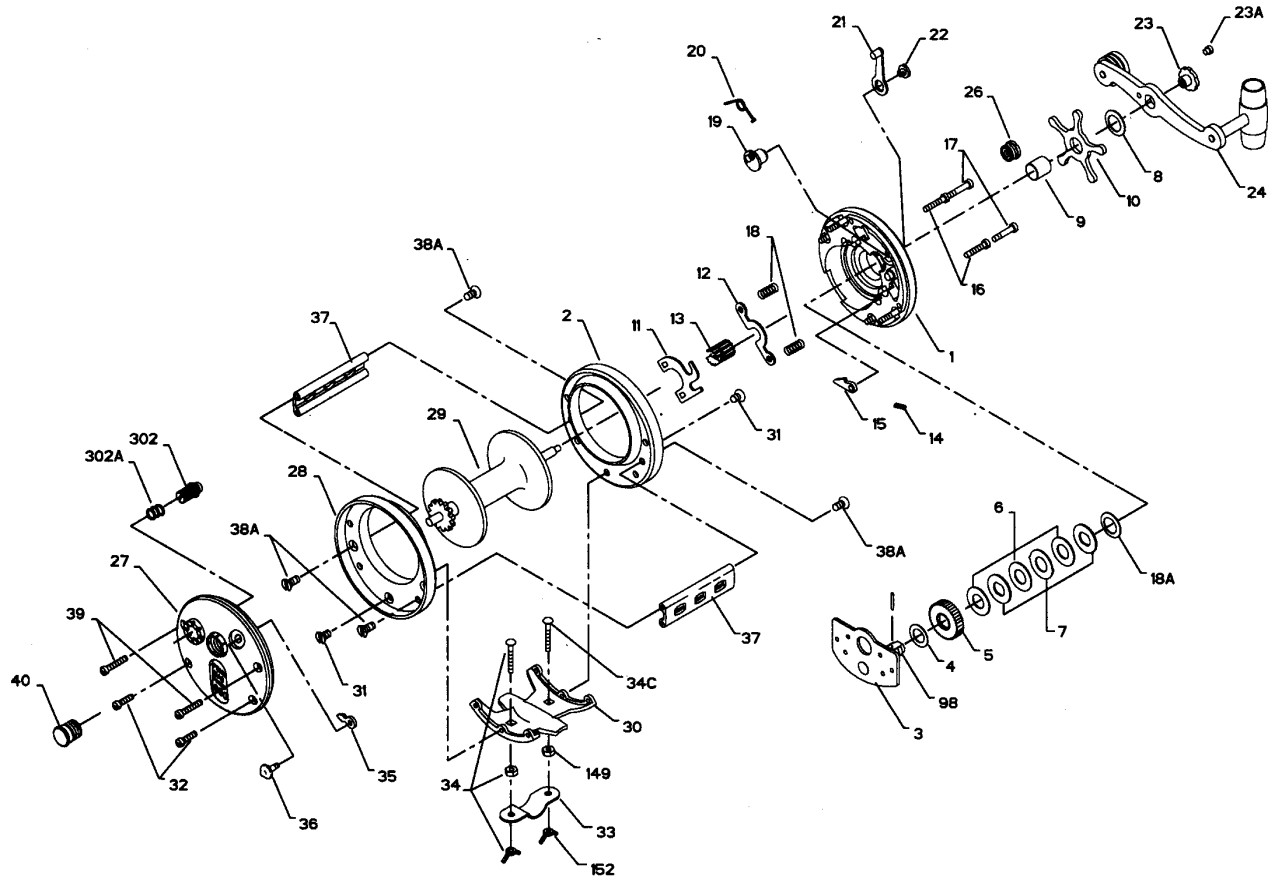




PARTS LIST FOR MODELS 970-980-990 PENN MAG POWER



KEY NO.	DESCRIPTION	PART NO.	KEY NO.	DESCRIPTION	PART NO.
1	Right Side Plate (970-980)	1-970	28	Left Side Ring (970-980)	2-970
	Right Side Plate (990)	1-990		Left Side Ring (990)	2-990
2	Right Side Ring (970-980)	2-970	29L	Spool (Complete)	29L-970
	Right Side Ring (990)	2-990		Spool (Complete)	29L-980
3	Bridge w/Sleeve (970-980)	3-970		Spool (Complete)	29L-990
	Bridge w/Sleeve (990)	3-990	30	Stand	30N-970
4	Fibre Washer	4-349		Stand	30N-980
5	Main Gear (970-980)	5-970		Stand	30-990
	Main Gear (990)	5-990	31	Stand Screw (Center)	31-19
6	Drag Washer (3 req.) (970-980)	6-113H	31A	R.S. Stand Screw	31-970
	Drag Washer (3 req.) (990)	6-990	32	L.S. Stand Screw	39-6
7	Washer (Metal Set) (970-980)	7C-970	33	Rod Clamp (970)	33-200
	Washer (Metal Set) (990)	7C-990		Rod Clamp (980-990)	33-990
8	Tension Spring	8-349	34	Rod Clamp Screw (970)	34-49
9	Spacing Sleeve (970-980)	9N-970		Rod Clamp Screw (980-990)	34-200
	Spacing Sleeve (990)	9-990	35	Click Tongue (N/S)	35-155
10	Star Drag Wheel (970-980)	10-970	36	Click Button (N/S)	36-209
	Star Drag Wheel (990)	10-349	37	Spacer Bar (Control) (970)	37C-970
11	Eccentric Jack	11-200		Spacer Bar (Control) (980-990)	37A-500
12	Pinion Yoke	12-155		Spacer Bar (Penn) (970)	37N-970
13	Pinion Gear w/Ring	13N-970		Spacer Bar (Penn) (980-990)	37A-500
14	Dog Spring	14-99	38	R.S. Upper Spacer Bar Screw	38-970
15	Dog (970-980)	15-970	40	L.S. Bearing (Complete)	40-970
	Dog (990)	15-990	40A	L.S. Bearing Cup	40A-970
16	Lower Bridge Screw	16-60	40B	L.S. Bearing Pressure Plug	40B-910
17	Upper Bridge Screw	17-60	55	R.S. Bearing	55-113H
18	Clutch Spring	18-60	55A	L.S. Bearing	55-116
18A	Clutch Spring	18-970	57	Pressure Plug Spring	57-109
19	Eccentric Cam	19-200	98	Gear Sleeve (970-980)	98-320
20	Eccentric Spring	20-155		Gear Sleeve (990)	98-349
21	Eccentric Lever	21-200	103	R.S. Bearing Cup	103-970
22	Eccentric Screw	22-99	110	Handle Lock Screw	110-60
23	Handle Screw	23-114	149	Rod Clamp Hex Nut	149-200
24	Handle	24-970	152	Rod Clamp Wing Nut	152-200
26	Right Side Bearing (Complete)	26-970	173	R.S. Bearing Retainer	173-113H
27	Left Side Plate	27-970	173A	L.S. Bearing Retainer	173-140
	Left Side Plate	27-980	302	Magnet Housing w/Magnet	302-970
	Left Side Plate	27-990	302A	Housing Spring Magnet	302A-970