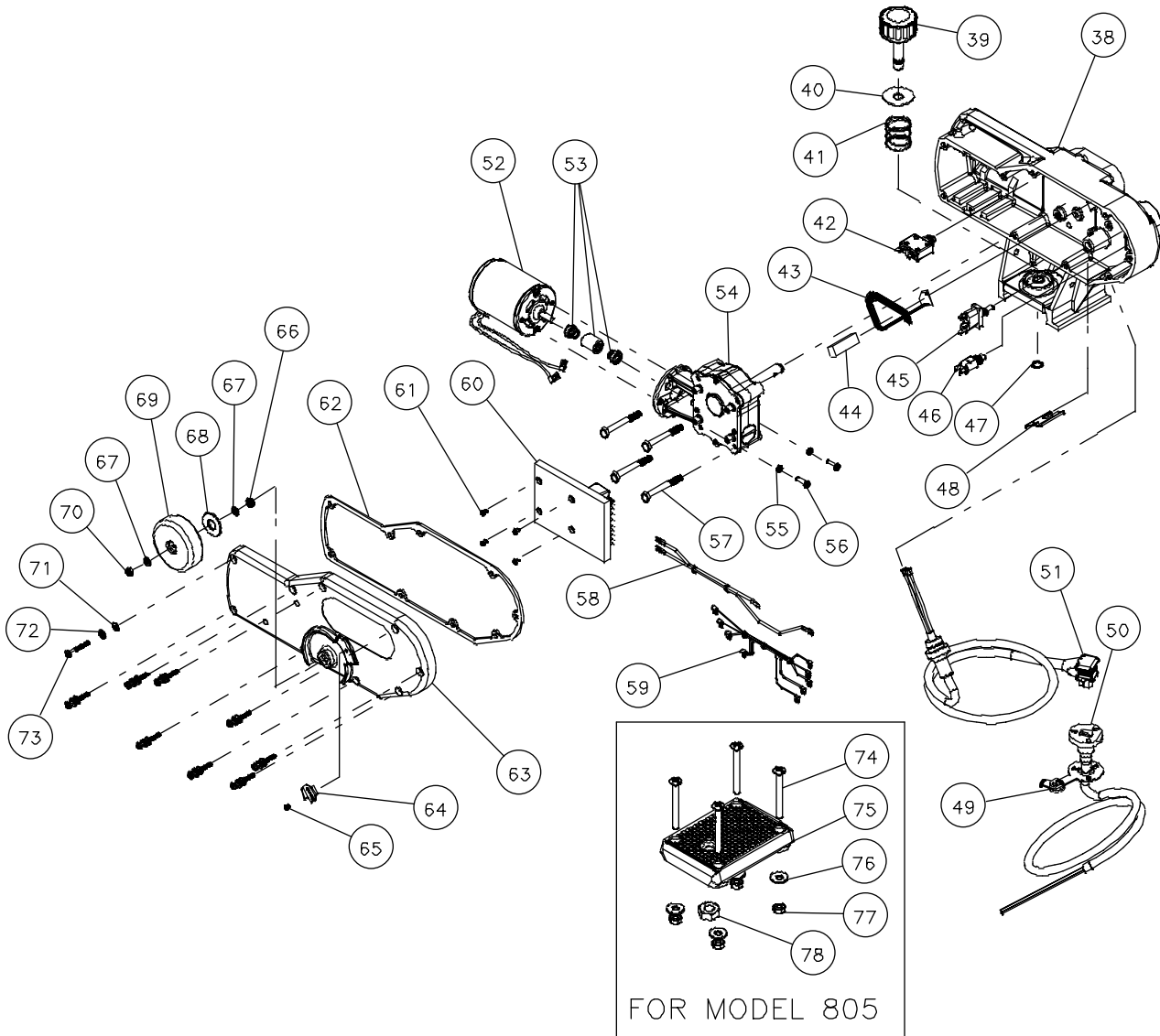




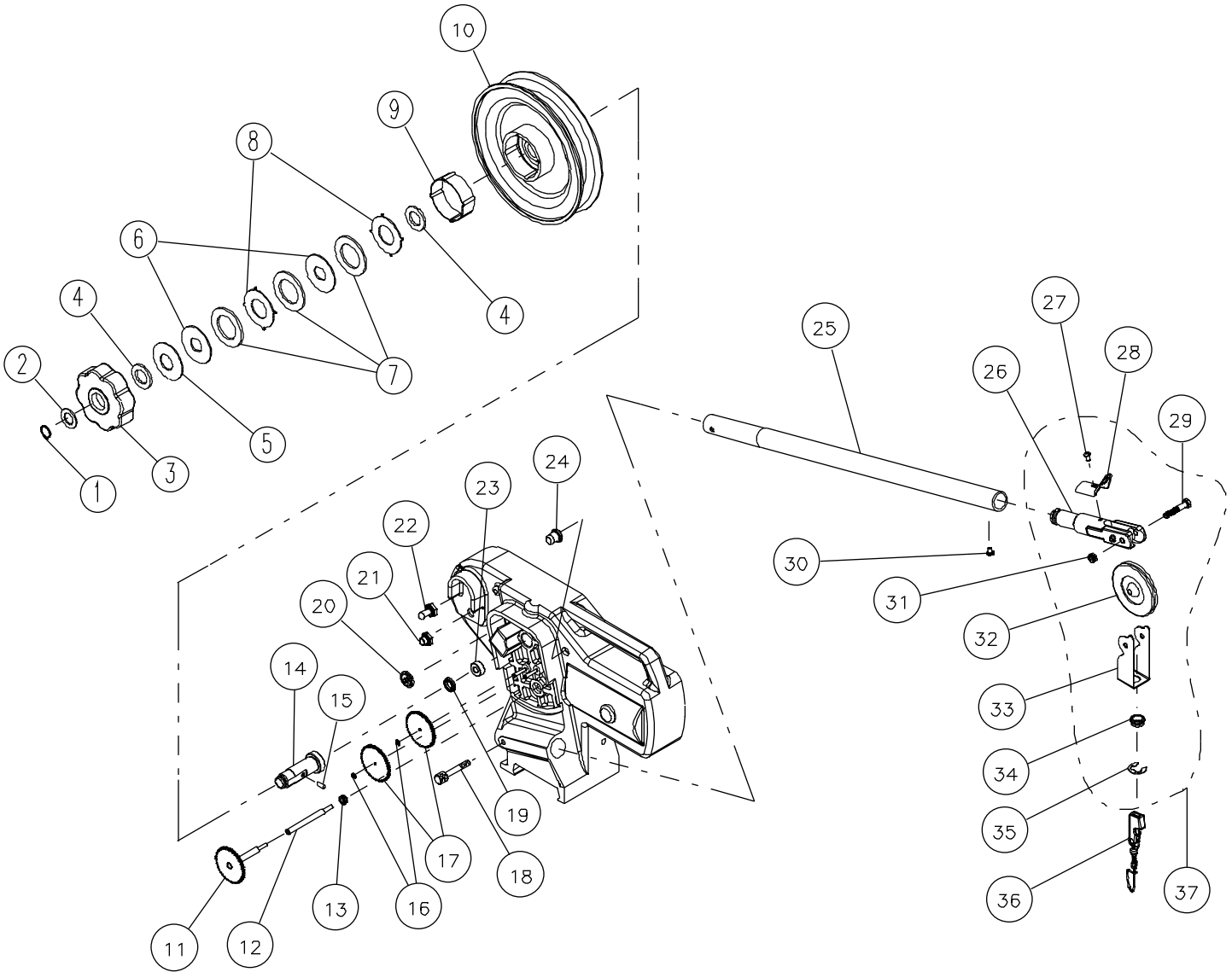
# LEFT SIDE FRAME ASSEMBLY FOR MODELS 805 AND 835



Key No.	Description	Part No.	Key No.	Description	Part No.
38	Frame w/Bearing & Seals	132 805	58	Wiring Harness (Breaker)	515A805
39	Hold Down Knob	184 600	59	Wiring Harness (Switch)	515 805
40	Hold Down Knob Washer	206 600	60	P.C. Driver Board	507 805
41	Hold Down Knob Spring	192 600	61	P.C Mounting Screw	046A704
42	Fuse Circuit Breaker	506 800	62	Frame Gasket	264 800
43	Sensor Switch Asm	507A805	63	Frame Cover	227 805
44	Sensor Switch Spacer	507B805	64	Indicator Bracket	181A800
45	Switch (Up & Down)	503 825	65	Indicator Bracket Screw	063 349
46	Push Button	503 805	66	Counter Cup Shaft Seal	247 800
47	Hold Down Retaining Ring	195 600	67	Counter Cup Thrust Washer (2)	247 620
48	Power Cable Clip	203 800	68	Counter Cup Washer	190P600
49	Lower Power Cable Cap	531 800	69	Counter Cup	181 600
50	Power Cable (Lower)	532 800	70	Counter Cup Lock Nut	200 600
51	Power Cable (Upper)	530 800	71	Rubber Washers (9)	220 800
52	Motor	501 805	72	Flat Washer (9)	205 800
53	Motor Shaft Coupling	119 800	73	Cover Mounting Screw (9)	063 800
54	Gear Box Complete	156 805	74	Base Plate Mounting Screw (4)	209 600
55	Lock Washer (2)	220 805	75	Base Plate	133 600
56	Mounting Screw (2)	032 800	76	Base Plate Washer (4)	220 600
57	Gear Box Mounting Screw (4)	209 805	77	Base Plate Nut (4)	211 600
			78	Base Plate Large Nut	193 600



# RIGHT SIDE FRAME ASSEMBLY FOR MODELS 805 AND 835

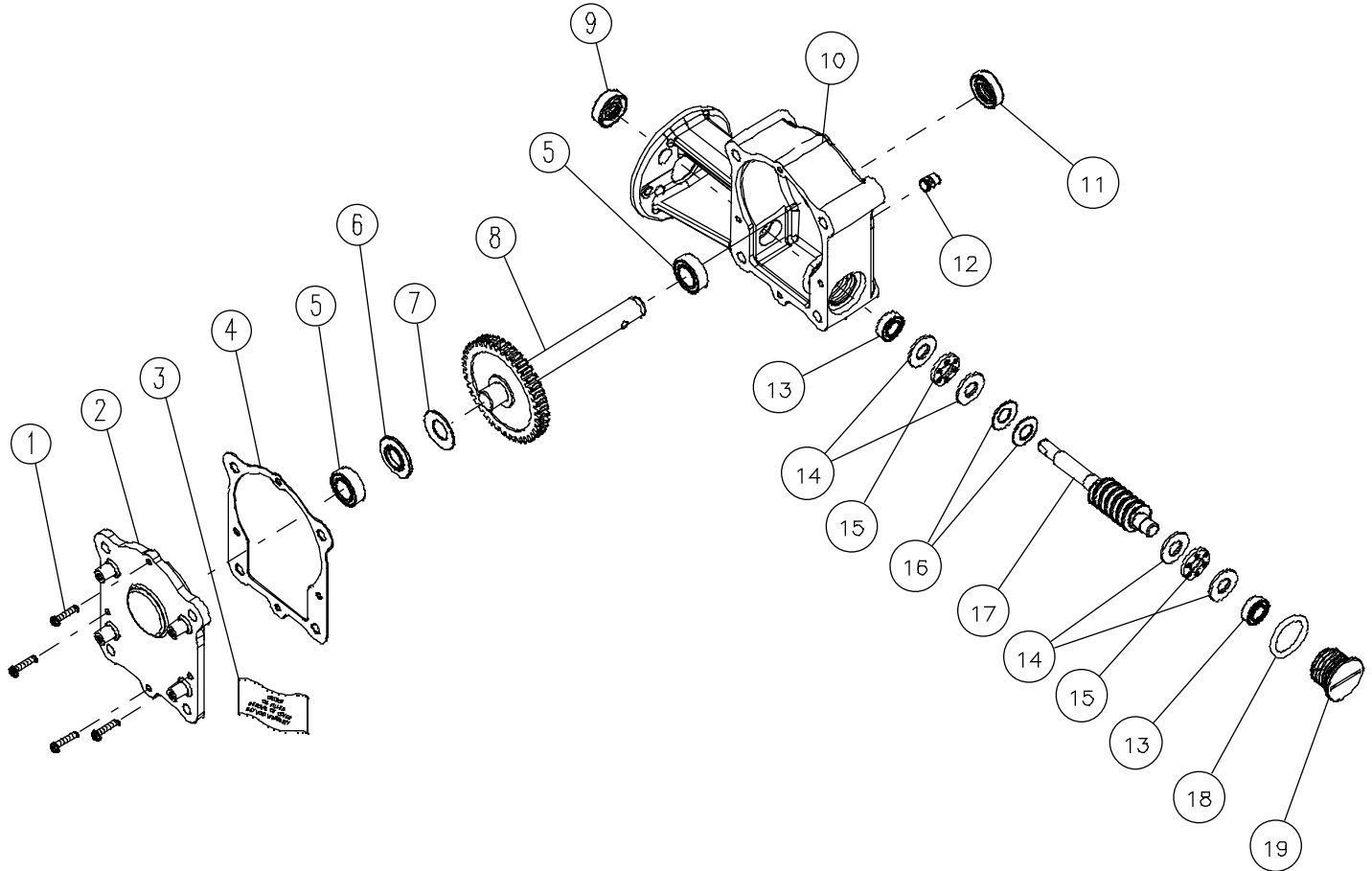


Key No.	Description	Part No.
1	Main Shaft Retaining Ring	195 800
2	Star Drag Spacer	009 800
3	Drag Control Knob	010 600
4	Insulating Washer (2 req.)	199P600
5	Tension Washer	008 600
6	Key Washer (2 req.)	086 600
7	Drag Washer (3 req.)	006P600
8	Ear Washer (2 req.)	007 836
9	Thermal Insulator	191 836
10	Spool	029 805
11	Counter Cup Gear	179 600
12	Counter Cup Shaft	188 800
13	Counter Cup Shaft Seal	247 800
14	Main Sleeve	098 800
15	Main Sleeve Pin	102 800
16	Idler Gear Retaining Ring (2 req.)	069B600
17	Idler Gear (2 req.)	178 600
18	Boom Screw	194 600

Key No.	Description	Part No.
19	Main Shaft Seal	245 800
20	Frame Vent Seal	247 805
21	Push Button Boot	504 805
22	Switch Boot	504 800
23	Frame Bearing	147A800
24	Fuse Boot	505 800
25	Boom Bottom	183 800
26	Boom Tip	218 800
27	Line Guide Screw	204R820
28	Line Guide	223 836
29	Boom Pulley Screw	182 800
30	Boom Tip Screw	204P600
31	Boom Pulley Nut	208 815
32	Boom Pulley	180 600
33	Line Guide Bracket	201 620
34	Line Guide Sleeve	202 600
35	Sleeve Retaining Ring	203 600
36	Cable Hardware (Complete)	213 600SPD
37	Boom Tip (Complete)	218C820SPD



# GEAR BOX ASSEMBLY FOR MODELS 805 AND 835



Key No.	Description	Part No.
1	Cover Screw (4)	046 9500
2	Gear Box Cover	156A805
3	Warning Label	225 800
4	Gear Box Gasket	166 805
5	Ball Bearing (2)	055 080ST
6	Main Gear Spacer	009A805
7	Spring Disc	018 970
8	Main Gear	005A800
9	Worm Shaft Seal	246 805

Key No.	Description	Part No.
10	Gear Box Housing	156 805B
11	Main Shaft Seal	245 805
12	Locating Pin	156B805
13	Ball Bearing (2)	020 6500
14	Thrust Bearing Washers (4)	252 805
15	Thrust Bearing (2)	253 805
16	Spring Disc Washer (2)	018 020
17	Worm	042 805
18	O-Ring	120 805
19	Bearing Housing	026 80