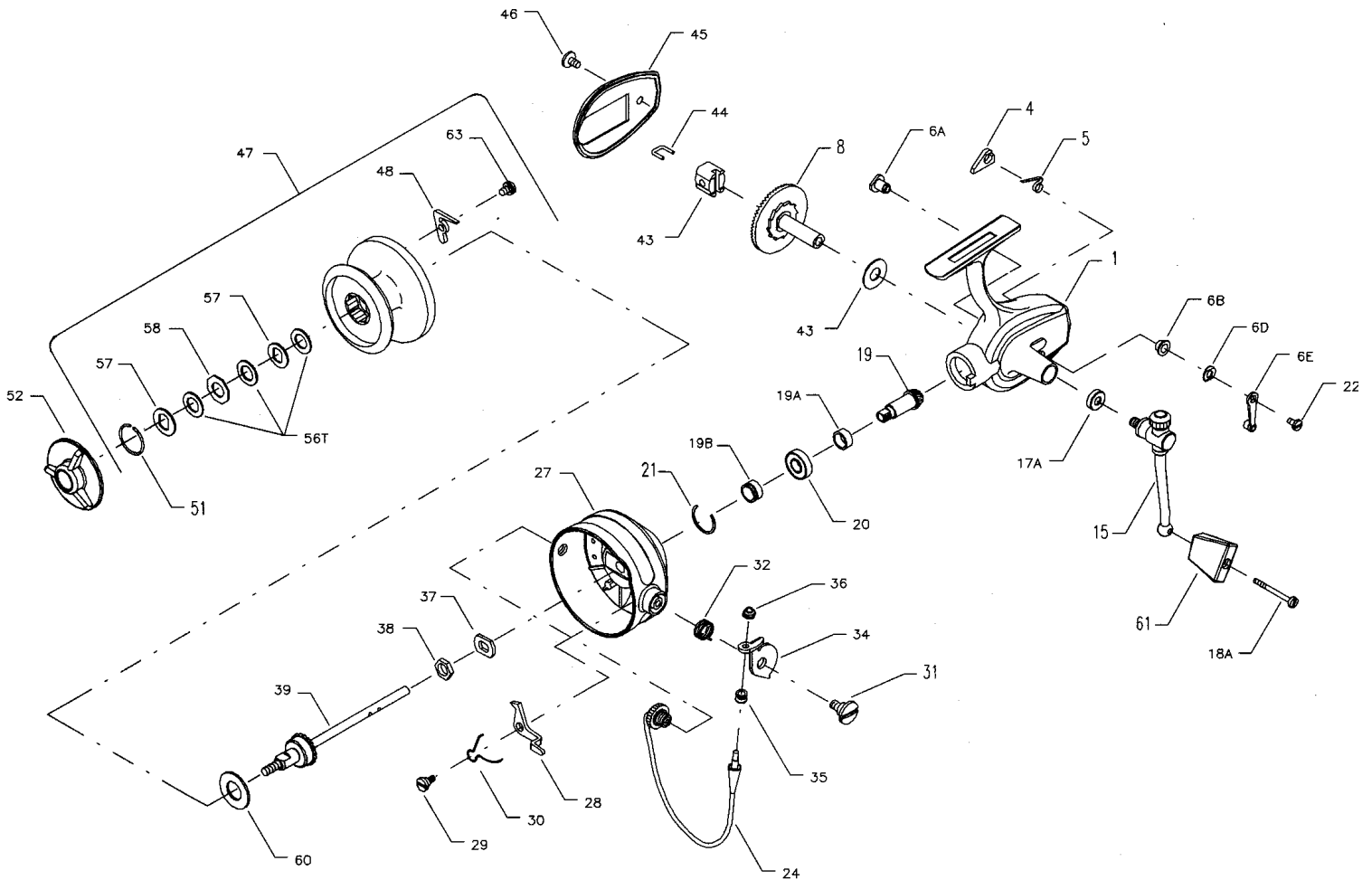




PARTS LIST FOR MODEL 716Z



KEY NO.

DESCRIPTION

1	Housing w/Bushing
4	Dog
5	Dog Spring
6A	Eccentric
6B	Eccentric Liner
6D	Eccentric Spring
6E	Eccentric Lever
8	Main Gear Ratchet and Shaft
13	Crosswind Screw
14	Crosswind Roller
15	Handle Assembly (Complete)
17	Handle Washer
19	Pinion Gear
20	Pinion Bearing
21	Bearing Retainer
22	Eccentric Screw
22A	Bail Release Ramp
23	Bearing Retainer Screw
24	Bail Wire
27	Rotor Cup
28	Bail Release Arm
29	Release Arm Pin
29A	Release Arm Screw (2 req.)
30	Arm Release Spring
31	Bail Arm Screw

PART NO.

1-716Z
4-716
5-716
6A-716
6B-700Z
6D-716
6E-716
8-716
13-716
14-716
15-716Z
17-716
19-716
20-722
21-716
22-109
22-716
23-716
24-716
27-716Z
28-716
29-716
29A-716
30-716
31-716

KEY NO.

DESCRIPTION

31A	Bail Screw
32	Bail Spring
33	Bail Arm Bumper
34	Bail Arm
35	Line Roller
36	Bail Lock Nut
37	Rotor Cup Washer
38	Rotor Cup Nut
39	Spool Shaft
40	Spool Sleeve
43	Crosswind Arm
44	Crosswind Shaft Screw
45	Housing Plate
46	Housing Plate Screw
47	Spool (Complete)
48	Click Spring
50	Click Screw
52	Drag Knob
54	Drag Spring
56T	Drag Washer (Teflon®)
57	Metal (Keyed) Washer
60	Rear Drag Knob
62	Dog Screw
62A	Oiler Screw

PART NO.

31A-716
32-716
33R-712
34-716
35-716
36-700
37-716
38-720
39-716
40-716
43-716
44-716
45-716Z
46-716
47-716Z
48-716
50-716
52-716Z
54-716
56T-716
57-716
60-716
62A-716
62A-716