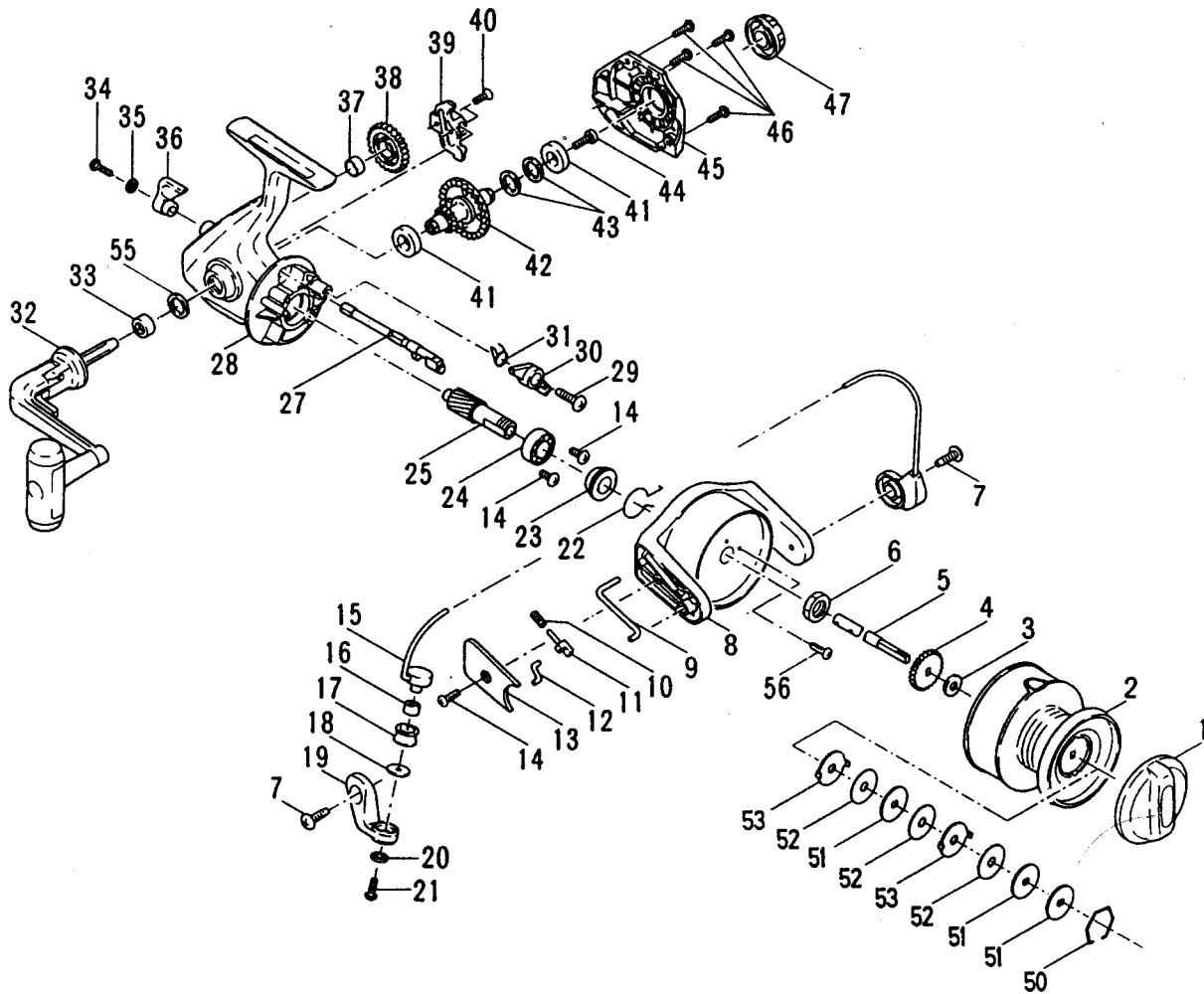




MODEL 4000

PARTS LIST FOR MODEL 4000



KEY NO.	PART NO.	DESCRIPTION
1	052 3000	Drag Knob Asm. with Spring
2	047 4000	Spool Assembly
3	060 3000	Spool Thrust Washer
4	040B3000	Click Ratchet
5	039 4000	Spool Shaft
6	038 3000	Rotor Nut
7	031A3000	Trip Arm Screw (2)
8	027 4000	Rotor Cup
9	028A3000	Cam Lever
10	034C3000	Pivot Spring
11	034B1000	Pivot Shaft
12	034A3000	Pivot Arm
13	027A4000	Bail Pivot Cover
14	022 875	Screw (3)
15	024 4000	Bail Wire Assembly
16	035A3000	Line Roller Bushing
17	035 3000	Line Roller
18	132 3000	Roller Washer
19	034 3000	Bail Arm
20	022A875	Washer
21	036 1000	Bail Stud Screw
22	230 3000	Silent Dog Spring
23	019A3000	Pinion Spacer
24	020 722	Ball Bearing
25	019 3000	Pinion Gear
27	006A3000	Eccentric Shaft
28	001 4000	Housing
29	003 3000	Dog Mounting Screw
30	004 3000	Anti-Reverse Dog
31	004A3000	Dog Spring
32	0015 3000	Handle Assembly
33	015A3000	Handle Spacer
34	006F-	Eccentric Lever Mtg. Screw
35	006G3000	Thrust Washer
36	006E-000	Eccentric Lever
37	231A3000	Crosswind Gear Bushing
38	231 3000	Crosswind Gear
39	043 6000	Crosswind Gear Block
40	044 1500	Screw (2)
41	002A3000	Cover & Housing Bushing (2)
42	008 3000	Main Gear
43	008A3000	Main Gear Shim
44	009A3000	Standard Driver Screw
45	045 4000	Housing Cover
46	046 1000	Cover Screw (4)
47	233 3000	Bearing Cover
**48	048 4000	Spool Click Tongue
**49	022 1000	Click Tongue Screw
50	051 3000	Drag Retaining Ring
51	057 3000	Keyed Drag Washer (2)
52	006 3000	Teflon Drag Washer (1)
52A	006 4000	Drag Washer HT-100 (2)
53	058 4000	Ear Drag Washer (1)
**54	040C4000	Click Washer
55	017 4000	Handle Washer
56	305 875	Rotor Nut Locking Screw

**Not Shown