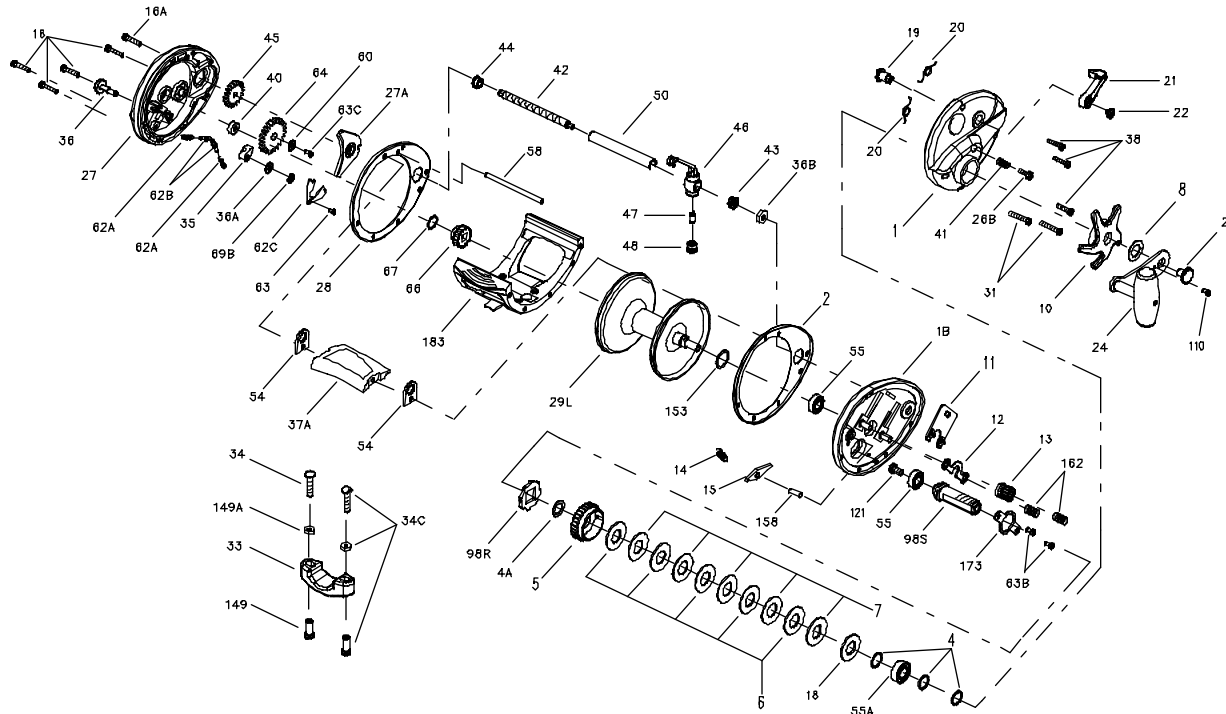




MODELS 340GTi AND 345GTi

PARTS LIST FOR MODELS 340GTi AND 345GTi



KEY NO.	340GTi PART NO.	345GTi PART NO.	DESCRIPTION
1	001 340	001 340	Right Side Outer Plate
1B	001B340	001B340	Right Side Inner Plate
2	002 340	002 340	Right Side Ring
4	004 340	004 340	Bearing Washer
4A	004 349	004 349	Fiber Washer
5	005 113H	005 113H	Main Gear
6	006 113H	006 113H	Friction Drag Washer (5 req.)
7	007C113H	007C113H	Metal Drag Washer (Set)
8	008 349	008 349	Tension Spring
10	010 340	010 340	Star Drag
11	011 340	011 340	Eccentric Jack
12	012 340	012 340	Pinion Yoke
13	013 113H	013 113H	Pinion Gear
14	014 330	014 330	Dog Spring
15	015 340	015 340	Dog
16	016 009	016 009	Left Side Plate Screw (4 req.)
18	018 970	018 970	Tension Spring Drag
19	019 340	019 340	Eccentric Cam
20	020 155	020 155	Eccentric Spring (2 req.)
21	021 340	021 340	Eccentric Lever
22	022 60CH	022 60CH	Eccentric Screw
23	023 114	023 114	Handle Assembly Screw
24	024 040P	024 040P	Handle Assembly
26B	026B340	026B340	Spool Tension Control Screw
27	027 340	027 340	Left Side Outer Plate
27A	027A340	027A340	Left Side Inner Plate
28	028 340	028 340	Left Side Ring
29L	029L340	029L345	Aluminum Spool
31	031 340	031 340	Right Side Plate Long Screw (2 req.)
33	033 340	033 340	Rod Clamp
34	034 045	034 045	Rod Clamp Screw (2 req.)
34C	034C045	034C045	Rod Clamp Screw w/Nuts
35	035 310N	035 310N	Click Tongue
36	036 340	036 340	Click Button
36A	036A340	036A340	Click Tongue Washer
36B	036 700	036 700	Lock Nut
37A	037A340	037A045	Top Spacer Bar
38	038 340	38-340	Right Side Plate Short Screw (3 req.)
40	040 320	040 320	Ball Bearing
41	041 330	041 330	Right Side Thrust Spring
42	042 340	042 345	Worm
43	043 340	043 340	Right Side Worm Bearing
44	044 340	044 340	Left Side Worm Bearing
45	045 340	045 340	Worm Gear
46	046 340	046 340	Line Guide Carriage
47	047 340	047 340	Pawl
48	048 330N	048 330N	Pawl Cover Screw
50	050 340	050 345	Worm Shield
54	054 113	054 113	Harness Lug (2 req.)
55	055 012H	055 012H	Ball Bearing (2 req.)
55A	055 080ST	055 080ST	Ball Bearing
58	058 340	058 345	Line Guide Post
60	060 320	60-320	Idler Gear Washer
62A	062A310	62A-310	Click Spring (2 req.)
62B	062B310	62B-310	Click Pin (2 req.)
62C	062C310	62C-310	Click Spring Cover
63	063 500S	63-500S	Click Spring Screw
63B	063 330	63-330	Bearing Retainer Screw
63C	063 330	63-330	Idler Gear Screw
64	064 340	64-340	Idler Gear
66	066 340	66-340	Spool Gear Click Ratchet
67	067 430	67-430	Lock Ring
69B	069B600	69B-600	Retaining Ring
98R	098 340	98-340	Main Gear Ratchet
98S	134 340	134 340	Gear Stud
110	110 060	110 060	Handle Lock Screw
121	121 340	121 340	Bearing Screw
149	149 045	149 045	Rod Clamp Nut (2 req.)
149A	149 200	149 200	Rod Clamp Hex Nut (2 req.)
153	153 340	153 340	Bearing Washer
158	158N340	158N340	Dog Pin
162	162 130	162 130	Clutch Spring (2 req.)
173	173 340	173 340	Bearing Retainer
183	183 340	183 345	Frame