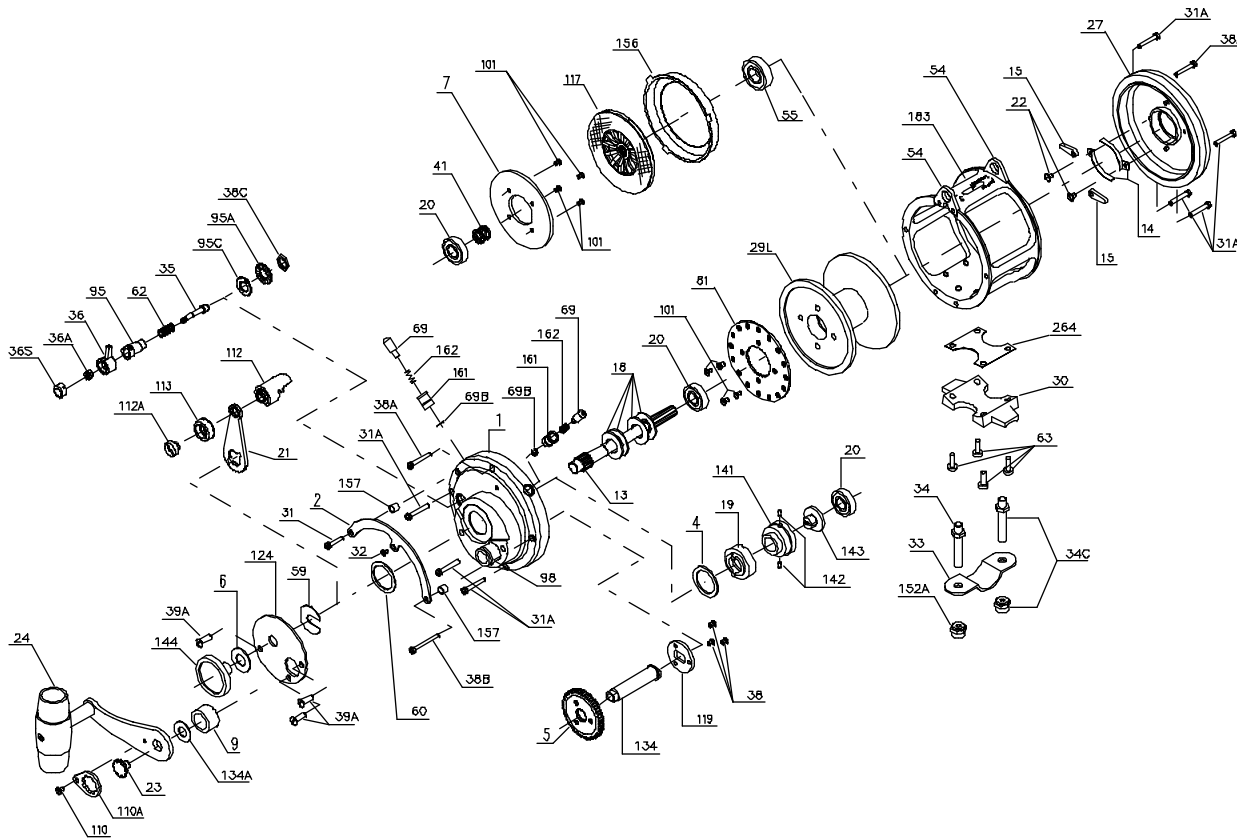




PARTS LIST FOR MODEL 20T



KEY NO.	DESCRIPTION	PART NO.
15	Dog (2 req.)	015 050
18	Disc Clutch Spring (4 req.)	018 020
19	Eccentric Cam	019 020
20	Ball Bearing (3 req.)	020 704
21	Eccentric Lever	021 030
22	Dog Spring Screw (2 req.)	022 109
23	Handle Screw	023 114
24	Handle Complete	024 030
27	L.S. Plate Assembly	027 020T
29L	Spool	029L 020
30	Stand	030 020T
31	Short Quadrant Screw	031 020
31A	Frame Screw (7 req.)	031 080
32	Center Quadrant Screw	032 114
33	Rod Clamp	033 049
34	Rod Clamp Screw (2 req.)	034 030T
34C	Rod Clamp Screw w/Nut	034C030T
35	Click Tongue	035 050
36	Click Button	036 050
36A	Click Button Nut	036 700
36S	Click Button Cap	036S080ST
38	Coupling Plate Screw (2 req.)	038 007
38A	Frame Screw (2 req.)	038 050
38B	Long Quadrant Screw	038 080
38C	Click Bushing Nut	038 710
39A	Bridge Cover Screw (3 req.)	039A 080S
41	L.S. Bearing Spring	046A704
54	Harness Lug (2 req.)	054 016S
55	Left-Side Bearing	055 080ST
59	Slotted Washer	059 050
60	Backing Washer	060 050
62	Click Spring	018 060
63	Stand Screw (4 req.)	063 349
69	Locating Pin (2 req.)	069 050
69B	Retaining Ring (2 req.)	069B 050
81	Ratchet	081 016S
95	Click Tongue Bushing	095 080
95A	Click Bushing Washer	095A020
95C	Click Bushing Washer	095A050
98	Bridge Bushing	098 016S
101	Drive Plate Screw (8 req.)	101 030
110	Handle Lock Screw	110 050
110A	Handle Locking Plate	110A016S
112	Eccentric Lever Knob	112 050
112A	Eccentric Lever Screw	112A050
113	Eccentric Lever Cap	113050
117	Drive Plate w/ Drag Washer	117 016S
119	Coupling Plate	119 030S
124	Bridge Cover	124 016S
*	Cam Housing	125 030
134	Gear Stud	134 050
134A	Gear Stud Washer	134A050
141	Cam Follower	141 016S
142	Follower Pin (2 req.)	142 050
143	Adjusting Screw	143 030
144	Preset Knob	144 016S
152A	Rod Clamp Acorn Nut (2 req.)	149 045
156	Drag Cover	156 016S
157	Quadrant Spacer Bushing (2 req.)	157 050
161	Locating Pin Bushing (2 req.)	161 050
162	Locating Pin Spring (2 req.)	162 050
183	Tube Frame	183 016S
264	Stand Gasket	264 030T

KEY NO.	DESCRIPTION	PART NO.
1	R.S. Plate Assembly	001 020TN
2	Quadrant Ring	002 030
4	Cam Thrust Washer	004 030
5	Main Gear High Speed	005 050
6A	Preset Spacer Washer	006 155
7	Metal Drag Washer	007 030
9	Spacing Sleeve	009 030
13	Pinion Gear	013 030
14	Dog Spring (2 req.)	014 050