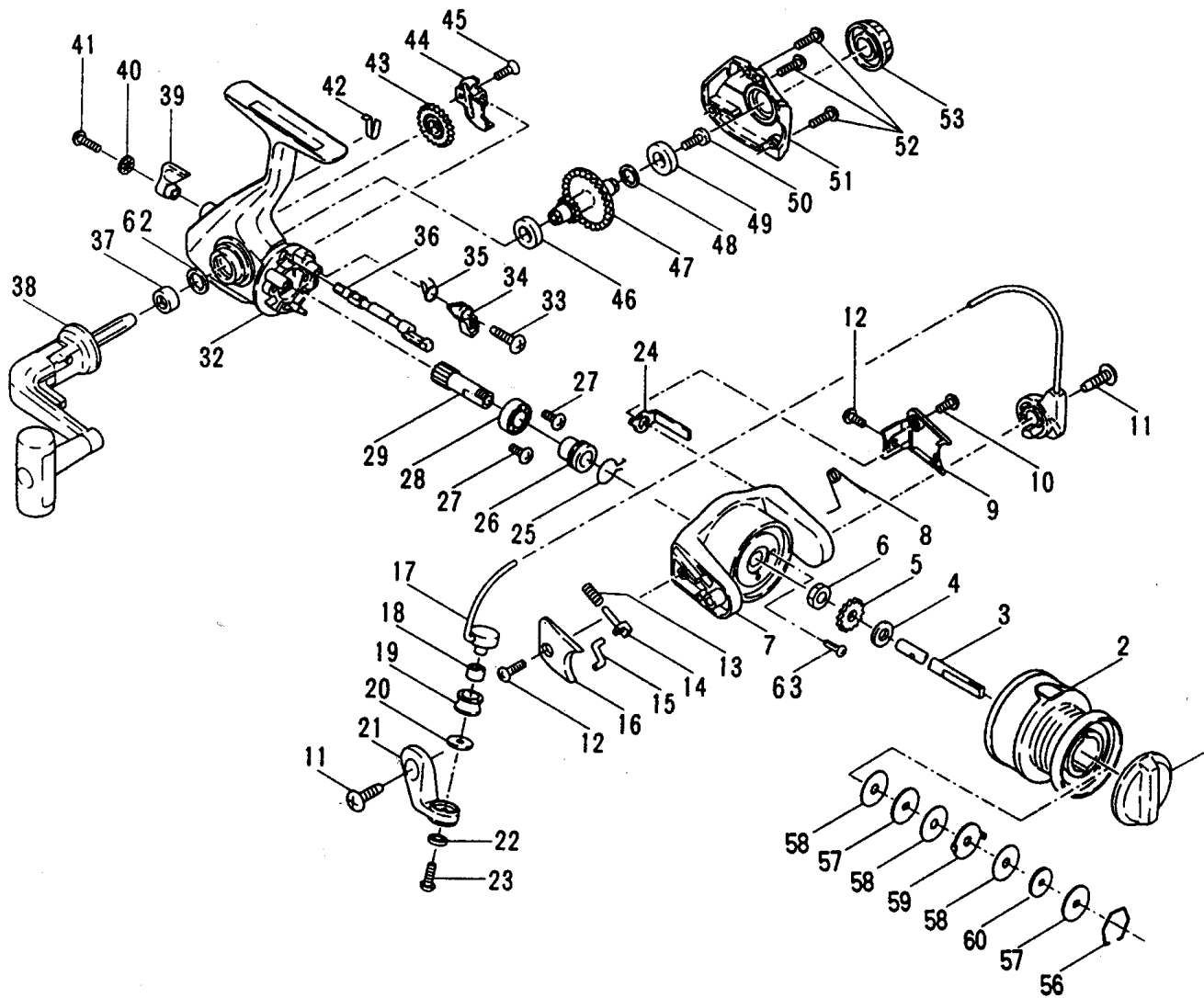




MODEL 1000



PARTS LIST FOR MODEL 1000

KEY NO.	PART NO.	DESCRIPTION
1	052 1000	Drag Knob ASM. w/Spring
2	047 1000	Spool Assembly
3	039 1000	Spool Shaft
4	060 1000	Spool Thrust Washer
5	040B1000	Click Ratchet
6	038 1000	Rotor Nut
7	027 1000	Rotor Cup
8	106 1000	Cam Lever Spring
9	227 1000	Cam Lever Cover
10	050 1000	Cam Lever Cover Screw
11	031A1000	Trip Arm Screw (2)
12	028B1500	Cam Lever Mtg. Screw (2)
13	034C1000	Pivot Spring
14	034B1000	Pivot Shaft
15	034A1000	Pivot Arm
16	027A1000	Bail Pivot Cover
17	024 1000	Bail Wire Assembly
18	035A1000	Line Roller Bushing
19	035 1000	Line Roller
20	132 1000	Roller Washer
21	034 1000	Bail Arm
22	022A875	Washer
23	036 1000	Bail Stud Screw
24	028A1000	Cam Lever, Trip
25	230 1000	Silent Dog Spring
26	019A1000	Pinion Spacer
27	023 1000	Bearing Mtg. Screw (2)
28	020 1000	Ball Bearing
29	019 1000	Pinion Gear
32	001 1000	Housing
33	003 1000	Dog Mounting Screw
34	004 1000	Anti-Reverse Dog
35	004A1000	Dog Spring
36	006A1000	Eccentric Shaft
37	015A1000	Handle Spacer
38	015 1000	Handle Assembly
39	006E1000	Eccentric Lever
40	006G1000	Thrust Washer
41	006F1000	Ecc. Lever Mounting Scr.
42	006D1000	Ecc. Shaft Spring
43	231 1000	Crosswind Gear
44	043 1000	Crosswind Gear Block
45	044 1000	Crosswind Block Screw
46	002 1000	Housing Bushing
47	008 1000	Main Gear
48	008A1000	Main Gear Shim
49	002A1000	Cover Bushing
50	009A1000	Standard Drive Screw
51	045 1000	Housing Cover
52	046 1000	Cover Screw (3)
53	233 1000	Bearing Cover
	**048 1000	Spool Click Tongue
	**022 1000	Click Tongue Screw
56	051 1000	Drag Retaining Ring
57	057 1000	Keyed Drag Washer (2)
58	006 1000	Teflon Drag Washer (3)
59	058 1000	Ear Drag Washer (1)
60	052A1000	Drag Washer
	**040C4000	Washer
62	015B900	Handle Washer
63	305 875	Rotor Nut Locking Screw

**Not Shown