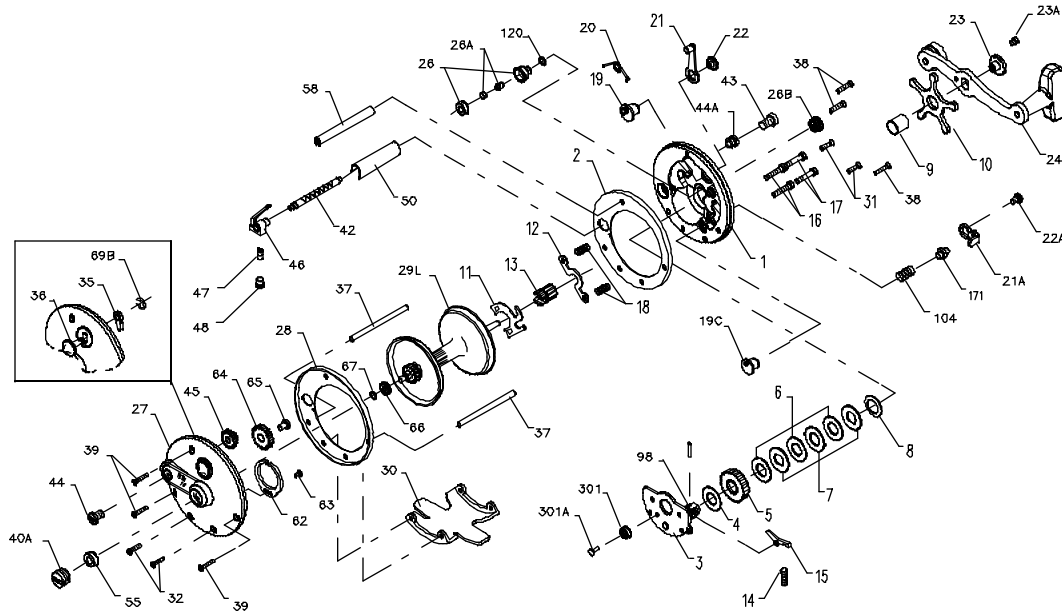




# PARTS LIST FOR MODEL 10 AND 210



KEY NO.	DESCRIPTION	PART NO.
1	R.S. Plate	001 010
	R.S. Plate	001 210
2	R.S. Ring	002 010
	R.S. Ring	002 210
3	Bridge w/Sleeve	003 010
	Bridge w/Sleeve	003 210
4	Fiber Washer (10)	004 155
	Fiber Washer (210)	004 060
5	Main Gear	005 010
	Main Gear (210)	005 500
6	Drag Washer (10)	006 060
	Drag Washer (210)	006 309
7	Drag Washer Metal (Set) (10)	007C060
	Drag Washer Metal (Set) (210)	007C500
8	Tension Spring	008 060
9	Spacing Sleeve	009 060
10	Star Drag (10)	010 060
	Star Drag (210)	010 505
11	Eccentric Jack (10)	011 009
	Eccentric Jack (210)	011 155
12	Pinion Yoke (10)	012 009
	Pinion Yoke (210)	012 155
13	Pinion Gear (10)	013 010
	Pinion Gear (210)	013 140
14	Dog Spring (210)	014 500
	Dog Spring	014 010
15	Dog	015 010
	Dog	015 210

KEY NO.	DESCRIPTION	PART NO.
16	Lower Bridge Screw (10) (2)	016 009
	Lower Bridge Screw (210) (2)	016 060
17	Upper Bridge Screw (9)	017 009
	Upper Bridge Screw (210) (2)	017 060
18	Clutch Spring (10)	018 009
	Clutch Spring (210)	018 060
19	Eccentric (10)	019 009
	Eccentric (210)	019 209
19C	Direct Drive Eccentric (10)	019 010
20	Eccentric Spring (10)	020 109
	Eccentric Spring (210)	020 155
21	Eccentric Lever (10)	021 109
	Eccentric Lever (210)	021 285
21A	Direct Drive Lever (10)	021 010
22	Eccentric Screw (10)	022 109
	Eccentric Screw (210)	022 060
22A	Direct Drive Lever Screw (10)	022 109
23	Handle Screw	023 060
23A	Handle Lock Screw	110 060
24	Handle (10)	024 155
	Handle (210)	024 066
26	R.S. Bearing (10)	026 010
	R.S. Bearing (210)	026 113H
26A	Pressure Plug (10)	040A910
26B	R.S. Bearing Cap (10)	026B910
27	L.S. Plate Assembly	027 010
	L.S. Plate Assembly	027 210

KEY NO.	DESCRIPTION	PART NO.
28	L.S. Ring	28-10
	L.S. Ring	28-209
29L	Spool (Aluminum)	29L-10
	Spool (Aluminum)	29L-210
29M	Spool Metal	29M-210
30	Stand	30-10
	Stand (210)	30-66
31	R.S. Stand Screw (2 req.)	31-10
	R.S. Stand Screw (2 req.)	31-210
32	L.S. Stand Screw (10) (2 req.)	32-2
	L.S. Stand Screw (210) (2 req.)	32-22
33	Rod Clamp (210)	33-113
33R	Ringed Rod Clamp (Optional)	*33R-200
34	Rod Clamp Screw (210)	34-45
34C	Rod Clamp Screw w/Nuts	34C-45
35	Click Tongue	35-155
36	Click Button (10)	36-60
	Click Button (210)	36N-209
37	Frame Post (10) (2 req.)	37-10
	Frame Post (210) (2 req.)	37-160
38	R.S. Post Screw (3 req.)	38-10
	R.S. Post Screw (210)	39-6
39	L.S. Post Screw (10) (3 req.)	39-1
	L.S. Post Screw (210)	38-8
40	L.S. Bearing	40-10
40A	L.S. Bearing Cap w/Bearing	40A-210
42	Worm (10)	42-109
	Worm (210)	42-209
43	R.S. Worm Bearing (10)	43-9
	R.S. Worm Bearing (210)	44N-109
44	L.S. Worm Bearing (10)	43-109
	L.S. Worm Bearing (210)	43-109
44A	R.S. Worm Bearing Spring	43-109
45	Worm Gear (10)	45-9
	Worm Gear (210)	45-209
46	Line Guide (10)	46-9
	Line Guide (210)	46-209
47	Pawl	47-109
48	Pawl Cover	48-109
50	Worm Shield (10)	50-109
	Worm Shield (210)	50-209
55	Spool Bearing (10 & 210)	55-113H
58	Slotted Post (10)	58-109
	Slotted Post (210)	58-209
62	Click Spring (10)	62M-209
	Click Spring (210)	62M-209
63	Click Spring Screw	63-2.5FR
64	Idler Gear (10)	64-9
	Idler Gear (210)	64-209
65	Idler Gear Screw	65-209
66	Level Wind Drive Gear (10)	66-9
	Level Wind Drive Gear (210)	66-209
67	Drive Gear Lock Spring (10)	67-9
	Drive Gear Lock Spring (210)	67-209
69B	Click Button Retaining Spring	69B-600
98	Gear Sleeve (10)	98-155
	Gear Sleeve (210)	98-505
104	Direct Drive Spring (10)	104-10
120	"O" Ring (10)	120-910
149	Clamp Nut	149-45
149A	Hex Nut	149-200
171	Direct Drive Plunger (10)	171-140
301	Magnet (10)	301-10
301A	Magnet Stud (10)	301A-10