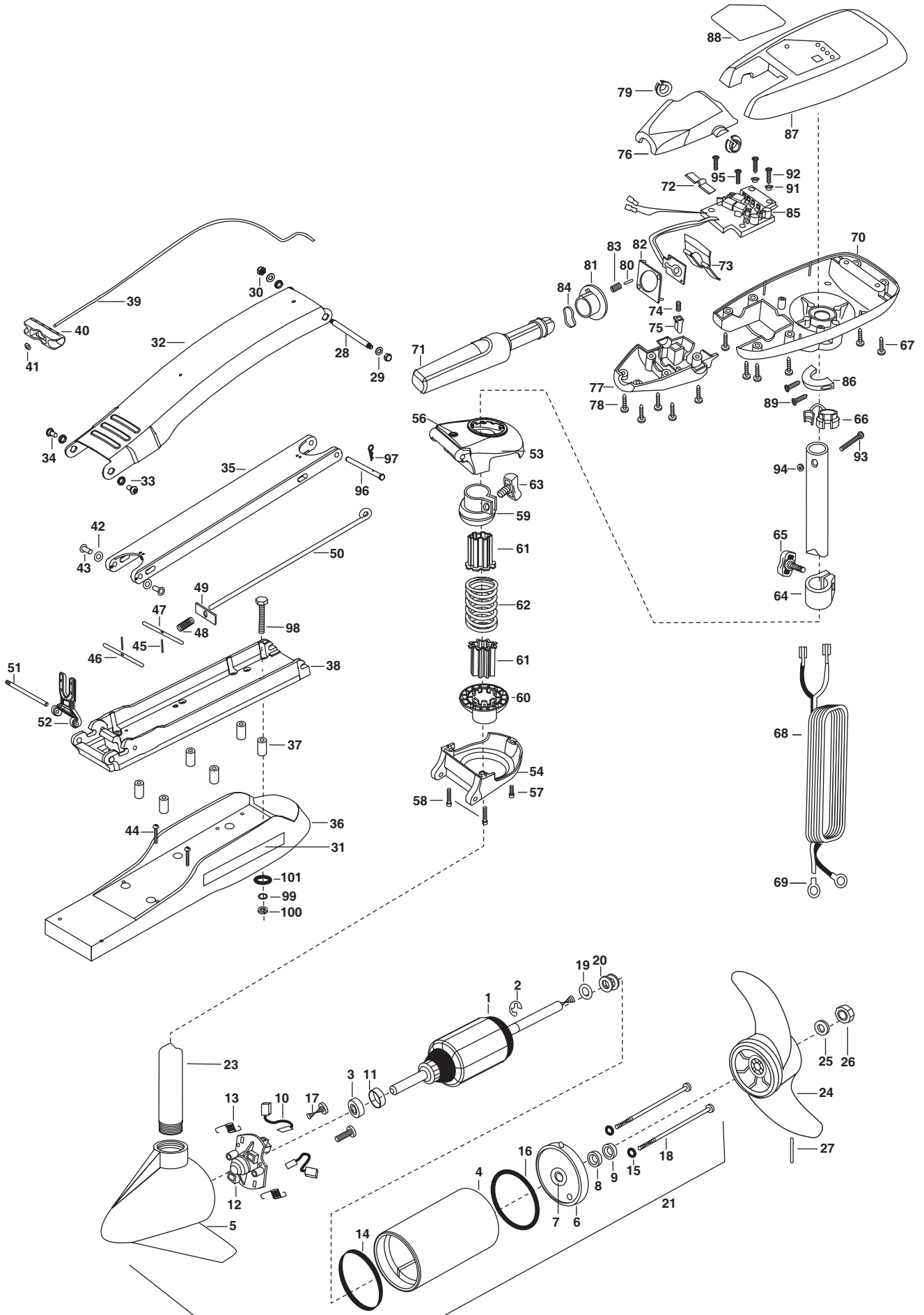


**MAXXUM 55/H - 42"**  
**55 LBS THRUST**  
**12 VOLT 43 AMPS**  
**42" SHAFT**



|    |            |                                    |    |         |                                   |      |         |                                     |
|----|------------|------------------------------------|----|---------|-----------------------------------|------|---------|-------------------------------------|
| 1  | 92-100-013 | ARMATURE ASSEMBLY 12V 3.625 FW #55 | 34 | 2263500 | BOLT, SHOULDER (MAXXUM) [2.EA]    | 68   | 2090600 | LEADWIRE (10 GA) RINGS              |
| 2  | 788-015    | RETAINING RING                     | 35 | 2774307 | ARM-LOWER ASSEMBLY, STD, FW,      | 69   | 2020700 | TERMINAL RING, 3/8 [2.EA]           |
| 3  | 140-010    | BALL BEARING                       | 36 | 2263912 | MOTOR REST MAXXUM                 | 70   | 2062592 | CONTROL BOX,FW, .725 BORE           |
| 4  | 431-101    | CENTER HOUSING ASSEMBLY            | 37 | 2261505 | SPACER, MOTOR REST [6.EA]         | 71   | 2990914 | HANDLE ASSEMBLY W/O U-JOINT         |
| 5  | 421-065    | HOUSING BRUSH END 3.62 TXT         | 38 | 2773987 | BOWPLATE W/INSERT ASSEMBLY STD FW | 72   | 2302742 | SPRING-DETENT (OFF)                 |
| 6  | 2-400-101  | PLAIN END HOUSING ASSEMBLY         | 39 | 2251601 | ROPE (40"), MAXXUM MOUNT          | 73   | 2302743 | SPRING-DETENT (HANDLE-TILT)         |
| 7  | 144-049    | BEARING - FLANGE (SERVICE ONLY)    | 40 | 2150400 | PULL-GRIP                         | 74   | 2302745 | SPRING-RELEASE BUTTON               |
| 8  | 880-003    | **SEAL                             | 41 | 2151700 | WASHER-EYE SHAFT (.562 OD)        | 75   | 2303720 | RELEASE BUTTON-HANDLE               |
| 9  | 880-006    | **SEAL WITH SHIELD                 | 42 | 2261708 | WASHER-3/8X1/2X.010 [2.EA]        | 76   | 2060409 | HANDLE (TOP HALF)                   |
| 10 | 188-036    | BRUSH ASSEMBLY [2.EA]              | 43 | 2236000 | BEARING NYLINER- [2.EA]           | 77   | 2060415 | HANDLE (LOWER HALF)                 |
| 11 | 725-050    | BRUSH RETENTION- PAPER TUBE        | 44 | 2263434 | SCREW, 8-18 X 1 PPH SS [2.EA]     | 78   | 2303412 | SCREW-6-20 X 5/8 SELF TAP [5.EA]    |
| 12 | 738-036    | BRUSH PLATE W/HOLDER               | 45 | 2152610 | SPRING-PIN (LOCKEAR) [2.EA]       | 79   | 2060005 | BEARING-HANDLE PIVOT [2.EA]         |
| 13 | 975-040    | SPRING - TORSION [2.EA]            | 46 | 2233600 | LOCK BAR- (BOW MOUNT)             | 80   | 2302600 | PIN-ACTUATOR                        |
| 14 | 337-036    | **GASKET                           | 47 | 2233602 | LOCK BAR, REAR - ZINC             | 81   | 2302850 | ACTUATOR-CAM                        |
| 15 | 701-008    | **O-RING, THRU-BOLT [2.EA]         | 48 | 2152700 | SPRING-(LOCKBAR) CAD.PLTD         | 82   | 2302851 | ACTUATOR-FWD/REV                    |
| 16 | 701-081    | **O-RING                           | 49 | 2262703 | SPRING STOP MAXXUM                | 83   | 2302740 | SPRING- (ACTUATOR)                  |
| 17 | 830-007    | SCREW-8-32 [2.EA]                  | 50 | 2153602 | EYE SHAFT-2LOCKBAR STD PLTD       | 84   | 2302741 | SPRING-CAM (ZNC PLTH STEEL )        |
| 18 | 830-042    | THRU-BOLT 10-32X8.83 [2.EA]        | 51 | 2260506 | HINGE-PIN (HEADLESS) ZINC         | 85   | 2334006 | CTRL BOARD W/O LEAD 12V             |
| 19 | 990-067    | WASHER- STEEL THRUST               | 52 | 2293811 | YOKE,MAX MNT-POLYPROPYLENE        | 86   | 2061515 | COLLAR-CTRL BOX (FRS-WTR)           |
| 20 | 990-070    | WASHER - NYLATRON [2.EA]           | ■  | 2991866 | BOWGUARD ASSEMBLY-HAND CTRL       | 87   | 2260290 | CTRL BOX CVR- BLACK                 |
| 21 | 2099094    | MOTOR ASSMBLY12V 3.625 VARS 55#    | 53 | 2772315 | BRKT BASE TOP/EYELET ASSEMBLY     | 88   | 2265657 | DECAL-COVER MAX 55/HC               |
| 23 | 2032058    | TUBE COMPOSITE 42"                 | 54 | 2991993 | BRKT BTM/BEARING FW ASEMBLY       | 89   | 2223430 | SCREW- #8X3/4 PPH TYPE 25 SS [2.EA] |
| ■  | 1378122    | PROPELLER KIT                      | 56 | 2772352 | EYELET- KIT                       | 91   | 2301710 | WASHER-INSUL.(TRANSF.BAR) [2.EA]    |
| 24 | 2091150    | PROPELLER W/WEDGE                  | 57 | 2263402 | SCREW 1/4-20 X 3/4(ZINC)          | 92   | 2372100 | SCREW-8-18 X 5/8 THD [2.EA]         |
| 25 | 2151726    | WASHER- 5/16 SS                    | 58 | 2263404 | SCREW-1/4-20 X 2 1/4 [2.EA]       | 93   | 2383407 | SCREW-10-24 X 2 PPH ZINC            |
| 26 | 2053101    | NUT-PROP NYLOC                     | 59 | 2261525 | SPRING-SLEEVE UPPER               | 94   | 2383124 | NUT-10-24 NYLOCK                    |
| 27 | 2092600    | PIN-DRIVE (95-4HP'S)               | 60 | 2261535 | SPRING SLEEVE, LOWER              | 95   | 2301310 | SCREW-8-18 X 1/2 [2.EA]             |
| 28 | 2262605    | PIN-BWGRDE UPPER THREADED ZP       | 61 | 2264702 | INSERT-TUBE (2 PER) B.MNT         | 96   | 2262607 | PIN-CLEVIS ZP MAXXUM BG             |
| 29 | 9908236    | WASHER- 1/4 FLAT ZINC [2.EA]       | 62 | 2262704 | SPRING, BOWGUARD, HAND CT         | 97   | 2260801 | CLIP- SPRING ZP MAX BG              |
| 30 | 2223100    | NUT- TENSION 5/16-18 SS [2.EA]     | 63 | 2011365 | SCREW-COLLAR/NEW KNOB             | ■    | 2994830 | BAG ASSEMBLY-MAXXUM INCL. 98-101    |
| 31 | 2265514    | DECAL- MAXXUM MOTOR REST [2.EA]    | 64 | 2031520 | COLLAR-DEPTH (W/O INSERT)         | *98  | 2263431 | SCREW 1/4-20 X 3.5 PPH [6.EA]       |
| ■  | 2771866    | MOUNT- BOW ASSEMBLY FW STD W/BG    | 65 | 2011365 | SCREW-COLLAR/NEW KNOB             | *99  | 2261713 | WASHER-1/4 FLAT S/S [6.EA]          |
| 32 | 2264241    | ARM-UPPER FW,STD                   | 66 | 2052900 | STRAIN RELIEF-C.CORD/SP.C         | *100 | 2263103 | NUT-1/4-20 NYLOCK-JAM S/S [6.EA]    |
| 33 | 2293501    | BUSHING, STAINLESS STEEL [4.EA]    | 67 | 2303412 | SCREW-6-20 X 5/8 SELF TAP [6.EA]  | *101 | 2301720 | WASHER-MOUNTING*RUBBER [6.EA]       |

\*\*Seal & Oring Kit P/N 2888460

\* This item is part of an assembly. This item cannot be sold separately due to machining and /or assembly that is required.

P/N 2264958 REV.A 8-01

# MAXXUM 55/H Wiring Diagram

