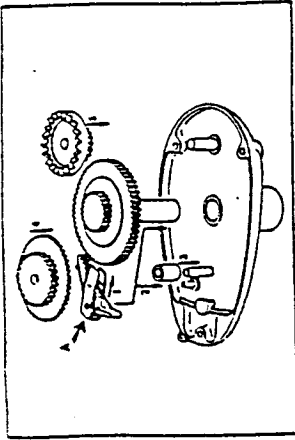


**MITCHELL 300A/301A/300PRO/300S/301S/350A/400/400S
410A/411A/440A/441A**



Silent Anti-Reverse

Note: Do not bend the claw A which has to remain fully flattened on the two drive facings.

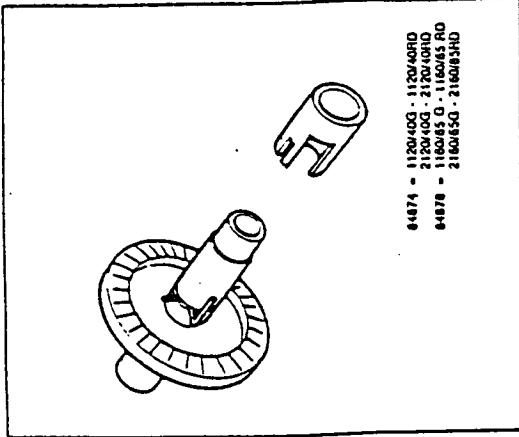
MITCHELL 1100G/1100RD/2100G/2100RD

Anti-Reverse System

In order to improve the anti-reverse system of the above mentioned reels we now propose a clutch. Please carefully follow the assembling instructions below.

There are two versions of this clutch:

- 84874 - 1120/40G - 1120/40RD
2120/40G - 2120/40RD
- 84876 - 1160/65G - 1160/65RD
2160/65G - 2160/65RD

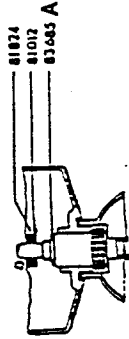


- 64874 - 1120/40G - 1120/40RD
2120/40G - 2120/40RD
- 64876 - 1160/65G - 1160/65RD
2160/65G - 2160/65RD

MITCHELL 440ALC/440A MATCH

Rotating Head

The rotating heads are now supplied with a washer n° 83685, thickness 1 mm. See diagram "A".



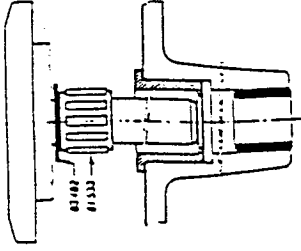
- 81874
- 81012
- 83685 A

MITCHELL 486/487/488/496/496PUM/496PRO/498/498PRO/499/499PRO

Housing/Drive Gear

Starting October 1983, the housing is equipped with a brass bushing holding the needle bearing 81533 and which replaces the bushing 82941.

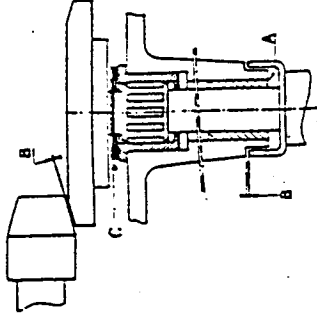
The previous clip 81534 is not needed. You can use the shims of kit 83482 as illustrated below.



Drive Gear

To get a better adjustment of the gear play:

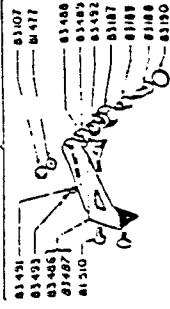
1. Drive the outside bushing (part A) on the surface of the housing bore
2. Check the gear 83482 between the housing and the rear side of gear (C) according to the play:
 - less or equal to 0.2 mm: no shim
 - 0.2 to 0.3 mm: 1 shim of 0.1 mm
 - 0.3 to 0.4 mm: 1 shim of 0.2 mm
 - 0.4 to 0.5 mm: 1 shim of 0.2 mm + 1 of 0.1 mm
 - 0.5 to 0.6 mm: 1 shim of 0.4 mm



MITCHELL 496PUM/496PRO/498/498PRO/499/499PRO

Manual Pick-Up Assembly

Starting September 1983, there is a new manual pick-up with a hard chrome metal roller and adjustable stainless steel line retainer. To replace the previous one necessitates fitting the new complete assembly as illustrated.



- 81491
- 81493
- 83486
- 81497
- 81510
- 81494
- 81507
- 81498
- 81499
- 81502
- 81507
- 81498
- 81510