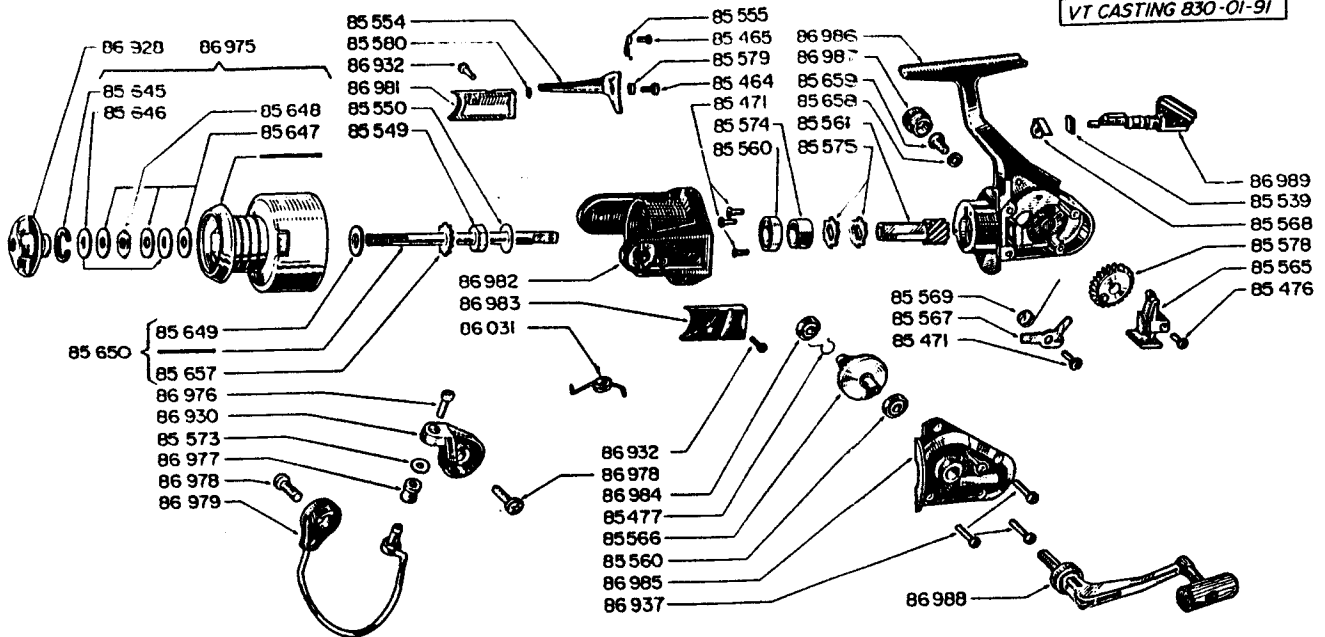


VT CASTING 830-01-91



Part No.	Description
8546400	TRIP LEVER SCREW
8546500	TRIP LEVER SPRING SCREW
8547100	MOUNTING SCREW
8547600	OSCILLATION SLIDE SCREW
8547700	ANTI-REVERSE ACTUATOR
8553900	ANTI-REVERSE LEVER STOP
8554900	HEX NUT
8555000	WASHER
8555400	TRIP LEVER
8555500	TRIP LEVER SPRING
8556000	BEARING
8556100	PINION GEAR
8556500	OSCILLATION SLIDE
8556600	DRIVE GEAR
8556700	ANTI-REVERSE DOG
8556800	ANTI-REVERSE LEVER
8556900	ANTI-REVERSE DOG SPRING
8557300	LINE GUIDE WASHER
8557400	PINION SPACER
8557500	ANTI-REVERSE RATCHET
8557800	CROSS WIND GEAR
8557900	TRIP LEVER BLEEVE
8558000	TRIP LEVER WASHER
8564500	DRAG RETAINER
8564600	KEYED WASHER
8564700	TEFLON DRAG WASHER

Part No.	Description
8564800	HEX WASHER
8564900	SPOOL WASHER
8565000	AXLE ASSEMBLY
8565700	CLICK GEAR
8565800	HANDLE SCREW WASHER
8565900	HANDLE SCREW
8603100	BAIL SPRING
8692800	DRAG KNOB
8693000	BAIL ARM
8693200	COVER PLATE SCREW - N1 & N2
8693700	SIDE PLATE SCREW
8697500	SPOOL
8697600	LINE GUIDE SCREW
8697700	LINE GUIDE
8697800	BAIL SCREW - N1 & N2
8697900	BAIL WIRE ASSEMBLY
8698000	BAIL WIRE ASSEMBLY KIT
8698100	COVER PLATE - N2
8698200	ROTATING HEAD
8698300	COVER PLATE - N1
8698400	DRIVE GEAR BEARING
8698500	SIDE PLATE
8698600	HOUSING
8698700	HANDLE SCREW CAP
8698800	HANDLE
8698900	ANTI-REVERSE BUTTON