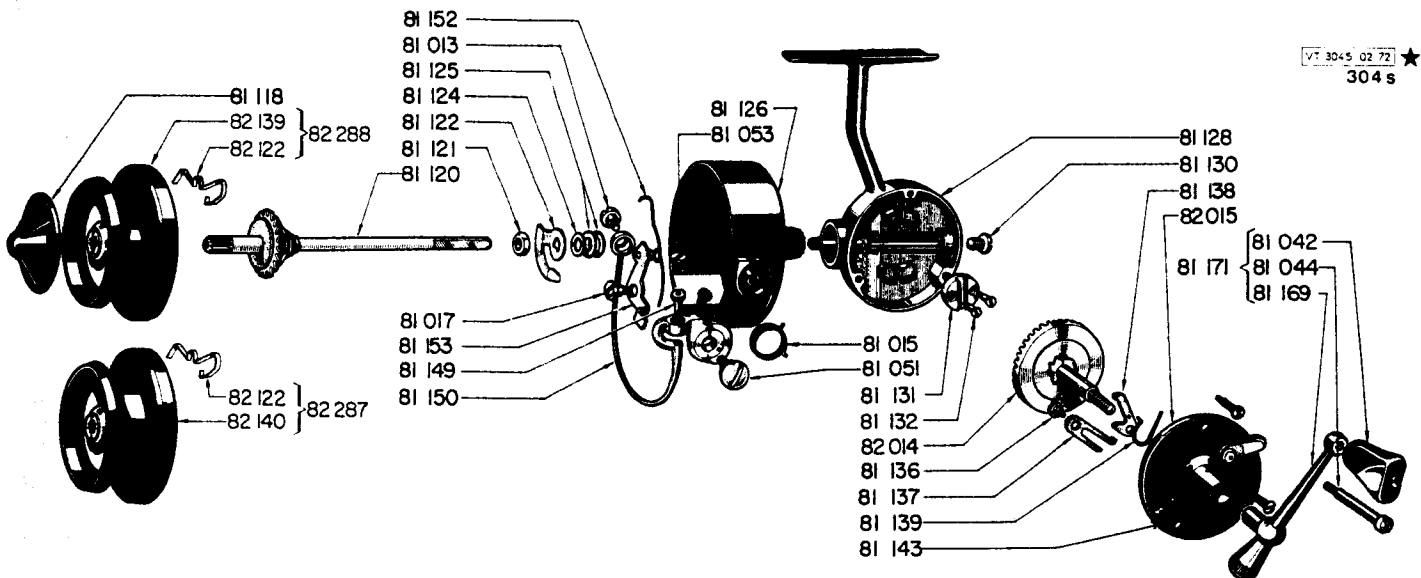


304 S



VT 304-S 02 72 ★
304 S

CODE NO.	DESCRIPTION	SUGGESTED RETAIL
81013	Bail Screw N 2	.45
81015	Bail Spring	.45
81017	Trip Lever Screw	.25
81042	Handle Knob	.60
81044	Handle Knob Screw	.60
81051	Bail Screw N 1	.60
81053	Line Guide Screw	.25
**81118	Drag Adjusting Knob	5.10
**81120	Axle	3.20
**81121	Hex Nut	.25
**81122	Bail Trip	.60
**81124	Bail Trip Washer	.25
**81125	Shims to Adj. Rotating Head	.25
**81126	Rotating Head	7.20
**81128	Housing	9.35
**81130	Lube Port Screw	.25
**81131	Oscillation Slide	.40
**81132	Oscillation Slide Screw	.25
**81136	Cam Spring Screw	.25
**81137	Anti Reverse Cam	.25
**81138	Anti Reverse Dog	.60
**81139	Anti Reverse Dog Spring	.25
**81143	Cover Screw	.25
**81149	Line Guide	.85
**81150	Bail	8.85
**81152	Trip Lever Spring	.25
**81153	Trip Lever	.85
**81169	Handle Shank	4.70
**81171	Handle Complete	5.90
**82014	Drive Gear	4.70
**82015	Cover Plate	5.90
82122	Click Spring	.40
**82139	Conical Spool	4.90
**82140	Spool small	4.90
**82287	Spool small	5.90
**82288	Spool large	5.90

**When present inventory is depleted, this part will no longer be available