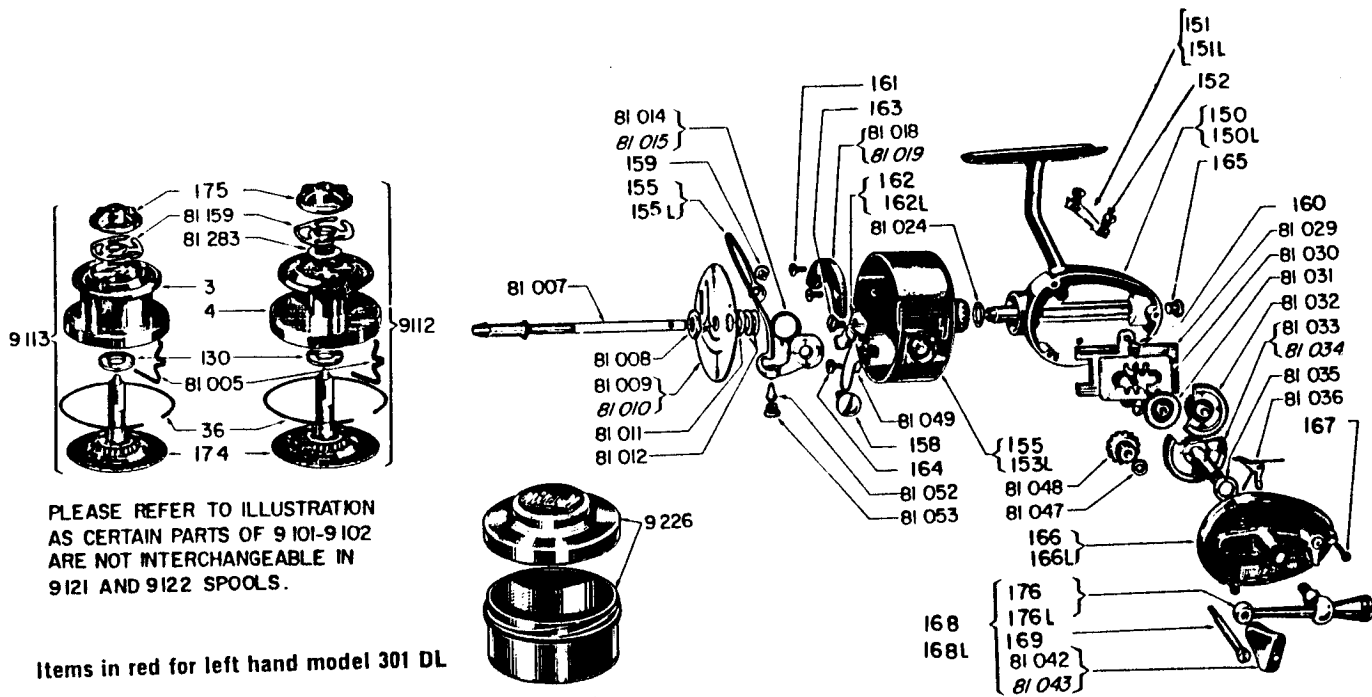


Garcia MITCHELL 300DL-301DL



PLEASE REFER TO ILLUSTRATION AS CERTAIN PARTS OF 9101-9102 ARE NOT INTERCHANGEABLE IN 9121 AND 9122 SPOOLS.

Items in red for left hand model 301 DL

Prices subject to change without notice
 *Use only the number of shims required for smoothest performance

Please specify both reel model and part numbers when ordering.

No.	Part Name	Price	No.	Part Name	Price	No.	Part Name	Price
3	Spool Shell, Small	1.25	166L	Cover Plate (301DL)	3.00	81014 (43)	Bail Spring (300DL)	.15
4	Spool Shell, Large	1.85	167	Cover Plate Screw (ea.)	.25	81015 (43L)	Bail Spring (301DL)	.15
36	Line Clip	.10	168	Handle Complete (300DL)	3.25	81018 (96)	Counterweight (300DL)	.45
150	Housing (300DL)	4.00	168L	Handle Complete (301DL)	3.25	81019 (96L)	Counterweight (301DL)	.45
150L	Housing (301DL)	4.00	169	Handle Knob Screw	.50	*81024 (49A)	Shims To Adjust Head and Housing (set of 3)	.30
151	Name Plate (300DL)	.75	174	Spindle	1.25	81029 (29)	Oscillation Guide	.30
151L	Name Plate (301DL)	.75	175	Drag Adjusting Knob	.40	81030 (27)	Oscillation Slide	.45
152	Name Plate Screw (ea.)	.50	176	Handle Shank (300DL)	2.75	81031 (30)	Pivot Gear	.45
153	Rotating Head (300DL)	3.00	176L	Handle Shank (301DL)	2.75	81032 (31)	Transfer Gear	.45
153L	Rotating Head (301DL)	3.00	9112	Spool Complete Large, less container	4.00	81033 (25)	Drive Gear (300DL)	1.25
155	Bail	3.00	9113	Spool Complete Small, less container	4.00	81034 (25L)	Drive Gear (301DL)	1.25
155L	Bail (301DL)	3.00	9226	Spool Container	.60	*81035 (54)	Shims To Adjust Drive Gear, Optional (set of 2)	.20
157	Line Guide Screw	.25	9231	Combination Tool	1.10	81036 (24)	Anti Reverse Dog	.25
158	Bail Screw No. 1	.25	81005 (38B)	Click Spring	.10	81042 (56)	Handle Knob (300DL)	.25
159	Bail Screw No. 2	.25	81007 (7)	Axle	.75	81043 (56L)	Handle Knob (301DL)	.25
160	Oscillation Guide Screw (ea.)	.10	81008 (35)	Hex Nut	.10	*81047 (51)	Shims To Adjust Pinion Gear (set of 2)	.20
161	Counterweight Screw (ea.)	.10	81009 (41)	Baffle Plate (300DL)	.40	81048 (26)	Pinion Gear	.65
162	Trip Lever (300DL)	.50	81010 (41L)	Baffle Plate (301DL)	.40	81049 (44)	Trip Lever Spring	.10
162L	Trip Lever (301DL)	.50	81011 (48)	Baffle Plate Washer	.10	81052 (13)	Line Guide	.75
163	Trip Lever Screw	.10	*81012 (49B)	Shims To Adjust Head and Baffle Plate (set of 3)	.30	81283 (5)	Fibre Drag Washer	.10
164	Trip Lever Spring Screw	.10						
165	Lube Port Screw	.50						
166	Cover Plate (300DL)	3.00						

PARTS AND SERVICE AVAILABLE AT THE FOLLOWING REGIONAL FACTORY REPAIR DEPOTS:

FACTORY SERVICE
 RODS, REELS AND PARTS

THE GARCIA SERVICE DEPARTMENT
 329 ALFRED AVENUE
 TEANECK, NEW JERSEY 07666

THE CONOLON CORPORATION
 1111 EAST McFADDEN STREET
 SANTA ANA, CALIFORNIA 92705

SILICOTE SALES DIVISION
 520 WEST 14th AVENUE
 OSHKOSH, WISCONSIN 54902

J. K. CLARK COMPANY
 ACO SPORTSMEN SERVICE
 13501 VAN DYKE
 DETROIT, MICHIGAN 48234

REEL SERVICE AND PARTS

NATE BUELL SERVICE CORPORATION
 5013 N.E. 42nd STREET
 PORTLAND, OREGON 97218

HARRY C. MILLER CO., INC.
 257 PARK AVENUE SOUTH
 NEW YORK, NEW YORK 10010

SHERMAN LOYD SALES COMPANY
 4737 GREENVILLE AVENUE
 DALLAS, TEXAS 75206