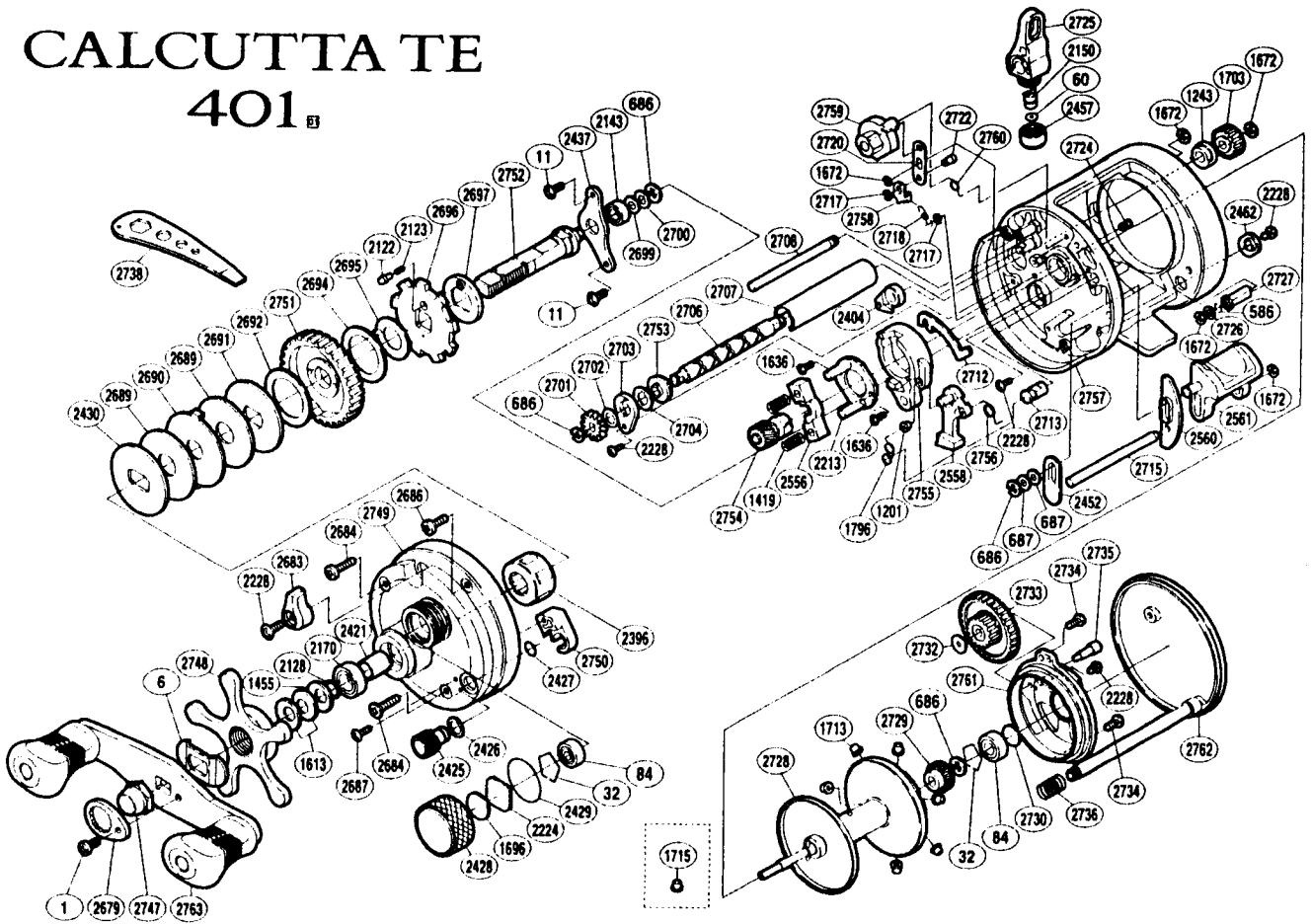


CALCUTTA TE 401 ES



BNT No.	PARTS NAMES	BNT No.	PARTS NAMES	BNT No.	PARTS NAMES
0001	Handle Nut Plate Screw	2429	"O" Ring	2718	Click Spring
0006	Friction Washer (A)	2430	Key Washer	2720	Click Link
0011	Drive Shaft Retainer Screw	2437	Drive Shaft Retainer	2722	Click Link Pin
0032	Bearing Retainer	2446	Yoke	2724	Click Spring Pin
0060	Spacer (optional)	2449	Clutch Pawl	2725	Line Guide
0084	Ball Bearing (1.64G)	2452	Clutch Bar Guide (A)	2726	Damper Washer
0586	Bolt Retainer	2454	Clutch Bar Guide (B)	2727	Damper (A)
0686	Click Pawl Retainer	2457	Pawl Cap	2728	Spool Assembly
0687	Click Pawl Spacer	2462	Damper Guide	2729	Idle Gear (A)
1201	Retractor Spring Collar	2561	Quick-Fire II Clutch Bar	2730	Spacer (B)
1243	Worm Bushing (B)	2679	Handle Nut Plate	2732	Idle Gear "B" Washer
1419	Yoke Spring	2683	Click Switch	2733	Idle Gear "B"
1455	Drag Spring Washer (H)	2684	Left Side Plate Screw (A)	2734	Brake Case Screw
1613	Drag Spring Washer (L)	2686	Left Side Plate Screw (B)	2735	Idle Gear Shaft
1636	Clutch Cam Screw	2687	Cam Backing Plate Screw	2736	Right Side Plate Spring
1672	"E" Lock	2689	Drag Washer (A)	2747	Handle Nut
1696	Cast Control Spacer (B)	2690	Key Washer (B)	2748	Star Drag
1703	Idle Gear (C)	2691	Base Drag Disc	2749	Left Side Plate
1713	Brake Collar (green)	2692	Drag Washer (C)	2750	Cam Backing Plate
1796	Retractor Spring	2694	Drag Washer (A)	2751	Drive Gear
2122	Drag Click Pin	2695	Drag Click Plate	2752	Drive Shaft
2123	Drag Click Spring	2696	Anti-Reverse Ratchet	2753	Worm Bushing (A)
2128	Bearing Washer	2697	Drag Click Pin Holder	2754	Pinion Gear (A)
2143	Ball Bearing	2699	Drive Shaft Washer (A)	2755	Clutch Cam
2150	Line Guide Pawl	2700	Drive Shaft Washer (B)	2756	Clutch Pawl Spring
2165	Clutch Cam Retainer	2701	Click Gear	2757	One-Piece Frame
2170	Star Drag Bearing	2702	Worm Shaft Washer (B)	2758	Click Pawl
2224	Spool Tension Spacer (A)	2703	Worm Bushing (A) Retainer	2759	Click Switch Cam
2228	Clutch Cam Screw	2704	Worm Shaft Washer (A)	2760	Click Switch Spring
2396	Roller Clutch Bearing	2706	Worm Shaft	2761	Brake Case
2404	Anti-Reverse Pawl	2707	Level Wind Guard	2762	Right Side Plate
2421	Roller Clutch Inner Tube	2708	Level Wind Guide	2763	Handle Assembly
2425	Side Plate Open Nut	2712	Clutch Plate		
2426	Open Nut Washer	2713	Retractor Spring Pin		
2427	"O" Ring	2715	Clutch Bar Support		
2428	Cast Control Cap	2717	"E" Lock	2738	Wrench (accessory)