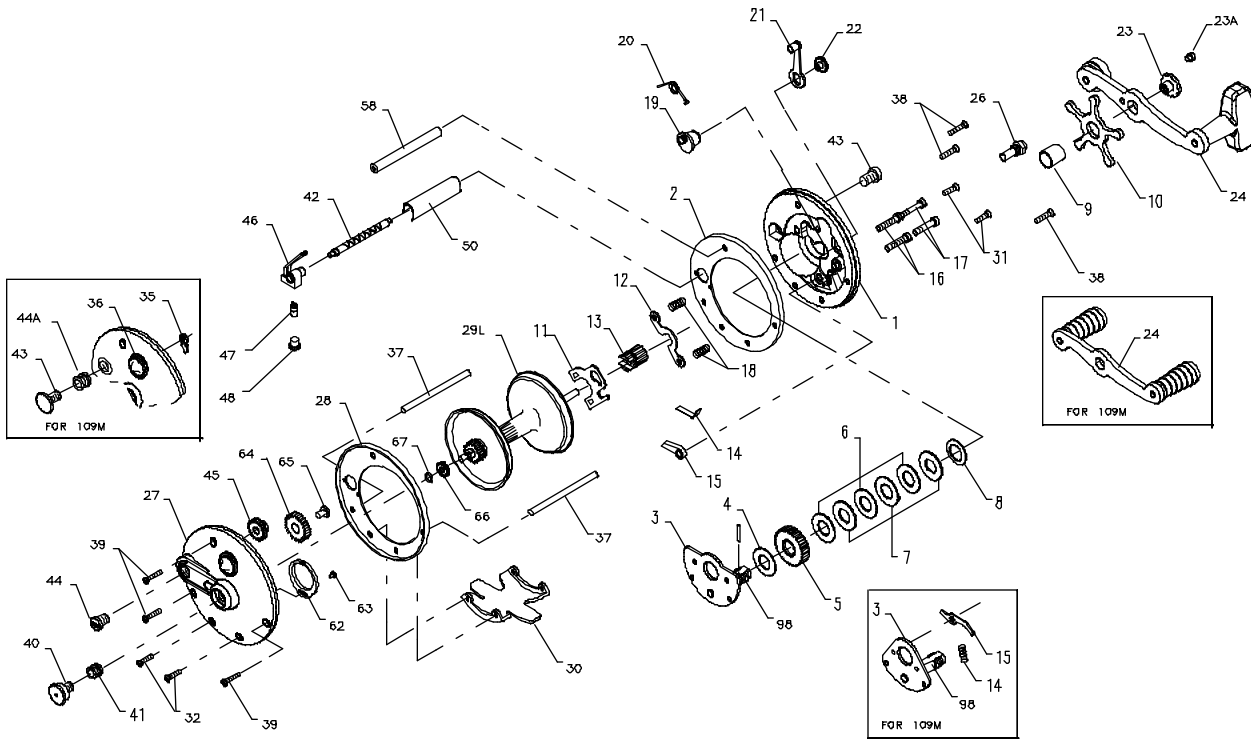




PARTS LIST FOR MODEL 9 AND 109



KEY NO.	DESCRIPTION	MODEL 9 PART NO.	MODEL 109 PART NO.
1	Right Side Plate	001 009	001 009
2	R.S. Ring	002 109	002 109
3	Bridge w/Sleeve	003 009	003 009
4	Fiber Washer	004 155	004 155
5	Main Gear	005 109	005 109
6	Drag Washer HT-100	006 155	006 155
7	Washer (Metal Set)	007C155	007C155
8	Tension Washer	008 060	008 060
9	Spacing Sleeve	009 060	009 060
10	Star Drag	010 180	010 180
11	Eccentric Jack	011 009	
12	Pinion Yoke	012 009	
13	Pinion Gear	013 009	013 109
14	Dog Spring	014 009	014 109
15	Dog	015 009	015 109
16	Lower Bridge Screw (2 req.)	016 009	016 060
17	Upper Bridge Screw (2 req.)	017 009	
18	Clutch Spring	018 009	
19	Eccentric	019 009	019 109
20	Eccentric Spring	020 109	020 109
21	Eccentric Lever	021 109	021 109
22	Eccentric Screw	022 109	022 109
23	Handle Screw	023-60	023 180
23A	Handle Lock Screw	110 060	
24	Handle	024 160	024 109
26	Right Side Bearing	026 009	026 109
27	L.S. Plate	027 009	027 109
28	L.S. Ring	028 109	028 109
29L	Aluminum Spool	029L 009	029L109
30	Stand	030N009	030N009
31	R.S. Stand Screw (2 req.)	032 002	032 002
32	L.S. Stand Screw (2 req.)	032 002	032 002
35	Click Tongue	035 155	035 155
36	Click Button	036 060	036 109
37	Frame Post	037 109	037 109
38	R.S. Post Screw (3 req.)	039 001	039 001
39	L.S. Post Screw (3 req.)	039 001	039 001
40	L.S. Bearing	040 109	040 109
41	R.S. Bearing Spring	041 109	041 109
42	Worm Gear	042 109	042 109
43	R.S. Worm Bearing	043 009	043 109
44	L.S. Worm Bearing	043 109	044N109
44A	Worm Bearing Spring		057 109
45	Worm Gear	045 009	045 109
46	Line Guide	046 009	046 109
47	Pawl	047 109	047 109
48	Pawl Cover	048 109	048 109
50	Worm Shield	050 109	050 109
58	Slotted Post	058 109	058 109
62	Click Spring	062M209	
63	Click Spring Screw	031 02.5FR	
64	Idler Gear	064 009	
65	Idler Gear Screw	065 0209	
66	Level Wind Drive Gear	066 009	
67	Drive Gear Lock Spring	067 009	
98	Gear Sleeve	098 155	098 155