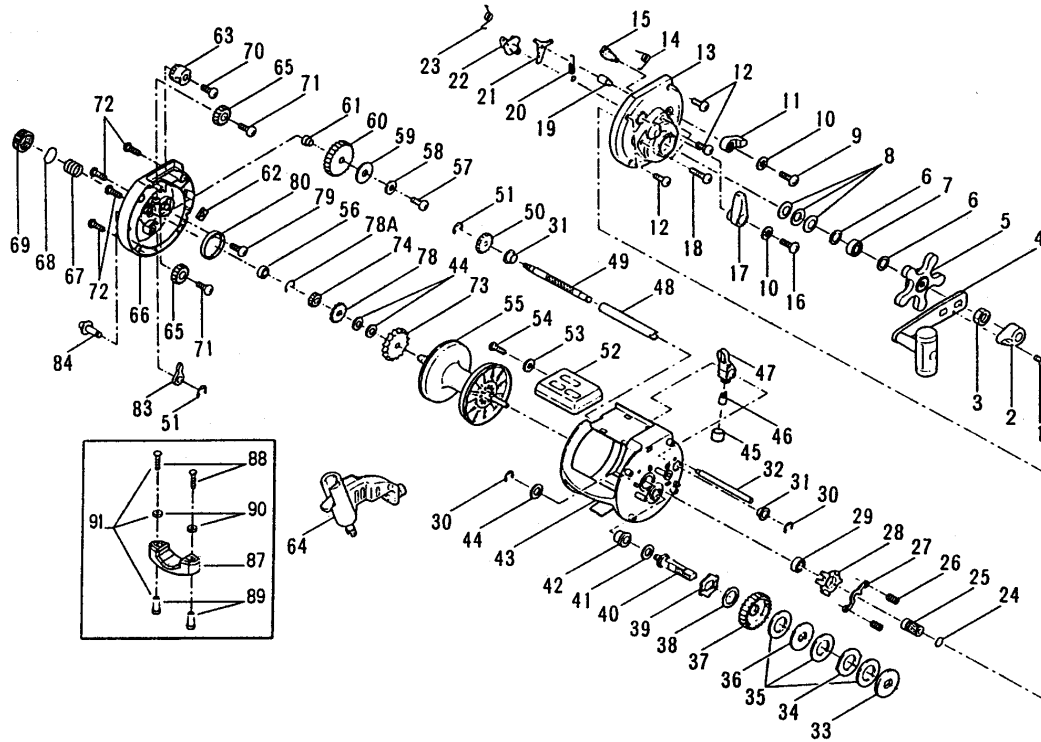




PARTS LIST FOR MODEL 895LC



KEY NO.	DESCRIPTION	PART NO.	KEY NO.	DESCRIPTION	PART NO.
1	Handle Lock Screw	32-875	44	Spacing Washer (3)	98C-895
2	Handle Nut Cap	110A-895	45	Pawl Cover Screw	48-875
3	Handle Nut	23-895	46	Pawl	47-875
4	Handle Assembly	24-895	47	Line Guide	46-875
5	Drag Star Assembly	10-895	48	Worm Shaft Shield	50-895
6	Star Washer (2)	9-895	49	Worm Shaft	42-895
7	R.S. Plate Bearing	26-895	50	Worm Gear	45-895
8	Disc Spring (3)	8A-895	51	Retaining Ring (2)	42B-875
9	Eccentric Screw	22-895	*52	Control Box Asm. (Feet)	303-895
10	Eccentric Washer (2)	22A-875	*52	Control Box Asm. (Metric)	303-895M
11	Direct Drive Lever	21A-895	53	Flat Washer	304-895
12	Mounting Screw (3)	39A-895	54	Control Box Screw	305-895
13	R.S. Plate	1-895	55	Spool Assembly	29L-895
14	Direct Drive Spring	104-895	56	L.S. Spool Bearing	55A-875
15	Direct Drive Eccentric	19C-895	57	Mounting Screw	39B-875
16	Eccentric Screw	22-895	58	Flat Washer	304A-875
17	Eccentric Lever	21-895	59	Idler Spacer	64A-895
18	Mounting Screw	39B-895	60	Idler Gear	64-895
19	Ratchet Dog Pin	158-895	61	Idler Gear Bushing	64B-895
20	Ratchet Dog Spring	14-895	62	Line Storage Clip	96-875
21	Ratchet Dog	15-895	63	Control Box Gear	306-875
22	Eccentric	19-895	64	Bogey Wheel Assembly	302-875
23	Eccentric Spring	20-895	65	Idler Gear (2)	306A-895
24	Thrust Washer	40-895	66	L.S. Plate	27-895
25	Pinion Gear Assembly	13-895	67	L.S. Bearing Spring	41-875
26	Clutch Spring (2)	18-875	68	Thrust Washer	41C-875
27	Pinion Yoke	12-895	69	L.S. Bearing Cap	40A-875
28	Eccentric Jack	11-895	70	Mounting Screw	39C-895
29	R.S. Spool Bearing	55-895	71	Mounting Screw (2)	63B-875
30	Retaining Ring (2)	98D-895	72	Mounting Screw (4)	39-895
31	Worm Bearing (2)	43-895	73	Spool Gear A	66A-895
32	Line Guide Post	58-895	74	Spool Gear B	66B-895
33	Metal Drag Washer	86-895	78	Click Ratchet	81-895
34	Ear Drag Washer	7-895	78A	Retaining Ring	67-875
35	Drag Washer HT-100 (3)	6-895	79	Mounting Screw	63A-875
36	Metal Drag Washer	86A-895	80	Click Spring	62-875
37	Main Gear	5-895	83	Click Tongue	35-875
38	Fibre Washer	4-895	84	Click Button	36-895
39	Ratchet Assembly	98R-895	87	Rod Clamp	33-113
40	Gear Stud	98S-895	88	Clamp Screws (2)	34-45
41	Gear Stud Washer	98A-895	89	Rod Clamp Nut (2)	149-45
42	Gear Stud Bearing	98B-895	90	Hex Nut (2)	149-200
43	Frame Assembly	183-895	91	Rod Clamp Screw w/Nuts	34C-45

*Order Control Box in "Feet" or "Metric" according to model.