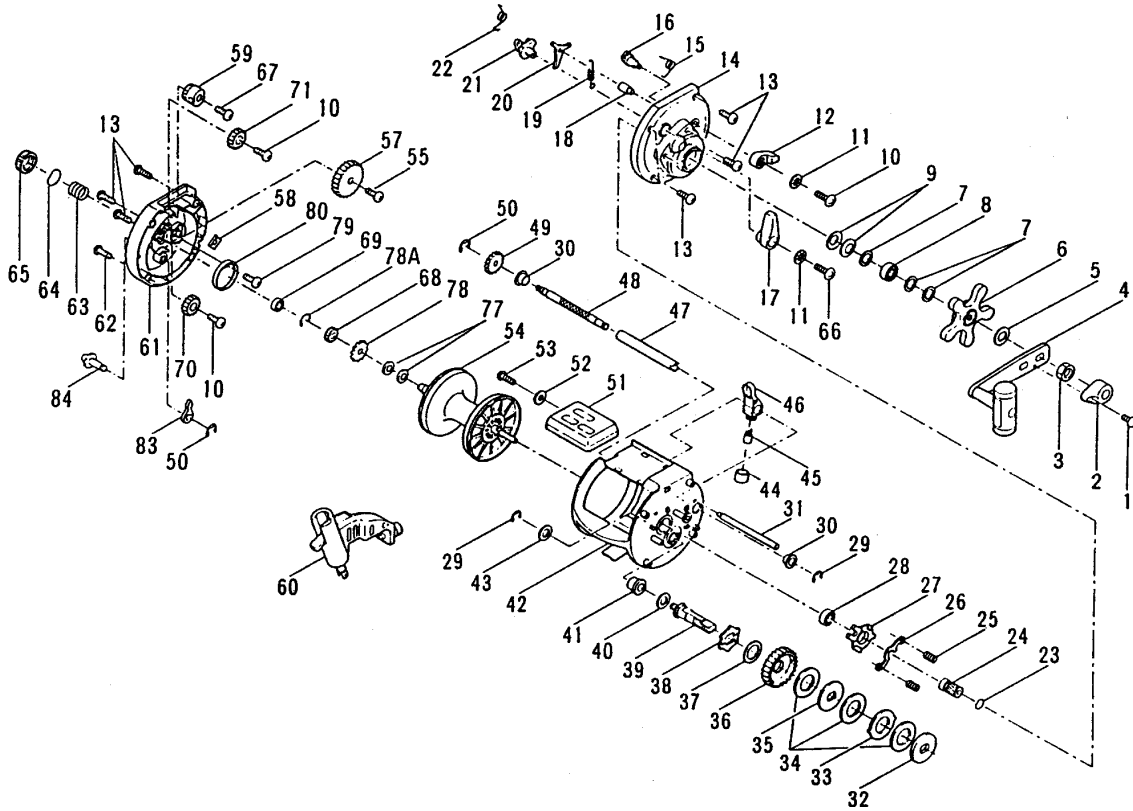




## PARTS LIST FOR MODEL 875LC



KEY NO.	DESCRIPTION	PART NO.	KEY NO.	DESCRIPTION	PART NO.
1	Handle Lock Screw	32-875	40	Gear Stud Washer	98A-875
2	Handle Nut Cap	110A-875	41	Gear Stud Bearing	98B-875
3	Handle Nut	23-875	42	Frame	183-875
4	Handle Assembly	24-875	43	Gear Stud Washer	98C-875
5	Thrust Washer	8-875	44	Pawl Cover Screw	48-875
6	Drag Star Assembly	10-875	45	Pawl	47-875
7	Star Washer (3)	9-875	46	Line Guide	46-875
8	R.S. Plate Bearing	20-722	47	Worm Shaft Shield	50-875
9	Disc Spring (2)	8A-875	48	Worm Shaft	42-875
10	Mounting Screw (3)	63B-875	49	Worm Shaft Gear	45-875
11	Eccentric Washer (2)	22A-875	50	Retaining Ring (2)	42B-875
12	Direct Drive Lever	21A-875	*51	Control Box Asm. (Feet)	303-875
13	Mounting Screw (7)	39A-875	*51	Control Box Asm. (Metric)	303-875M
14	R.S. Plate	1-875	52	Flat Washer	304-875
15	Direct Drive Spring	104-875	53	Control Box Screw	305-875
16	Direct Drive Eccentric	19C-875	54	Spool Assembly	29-875
17	Eccentric Lever	21-875	55	Mounting Screw	39B-875
18	Dog Pin	158-875	57	Idler Gear	64-875
19	Dog Spring	14-875	58	Line Storage Clip	96-875
20	Dog	15-875	59	Control Box Gear	306-875
21	Eccentric	19-875	60	Bogey Wheel Assembly	302-875
22	Eccentric Spring	20-875	61	L.S. Plate	27-875
23	Thrust Washer	40-875	62	Mounting Screw	39-875
24	Pinion Gear	13-875	63	L.S. Bearing Spring	41-875
25	Clutch Spring (2)	18-875	64	Thrust Washer	41C-875
26	Pinion Yoke	12-875	65	L.S. Bearing Cap	40A-875
27	Eccentric Jack	11-875	66	Eccentric Screw	22-875
28	Spool Bearing	55-875	67	Gear Mounting Screw	63-875
29	Retaining Ring (2)	98D-875	68	Spool Gear	66-875
30	Worm Bearing (2)	43-875	69	Spool Ball Bearing	55A-875
31	Line Guide Post	58-875	70	Idler Gear A	64A-875
32	Metal Drag Washer	86-875	71	Idler Gear B	64B-875
33	Ear Drag Washer	7-875	77	Click Ratchet Spacer (2)	81A-875
34	Drag Washer HT-100 (3)	6-875	78	Click Ratchet	81-875
35	Metal Drag Washer	86A-875	78A	Retaining Ring	67-875
36	Main Gear	5-875	79	Mounting Screw	63A-875
37	Fibre Washer	4-875	80	Click Spring	62-875
38	Ratchet Assembly	98R-875	83	Click Tongue	35-875
39	Gear Stud	98S-875	84	Click Button	36-875

\*Order Control Box in "Feet" or "Metric" according to model.