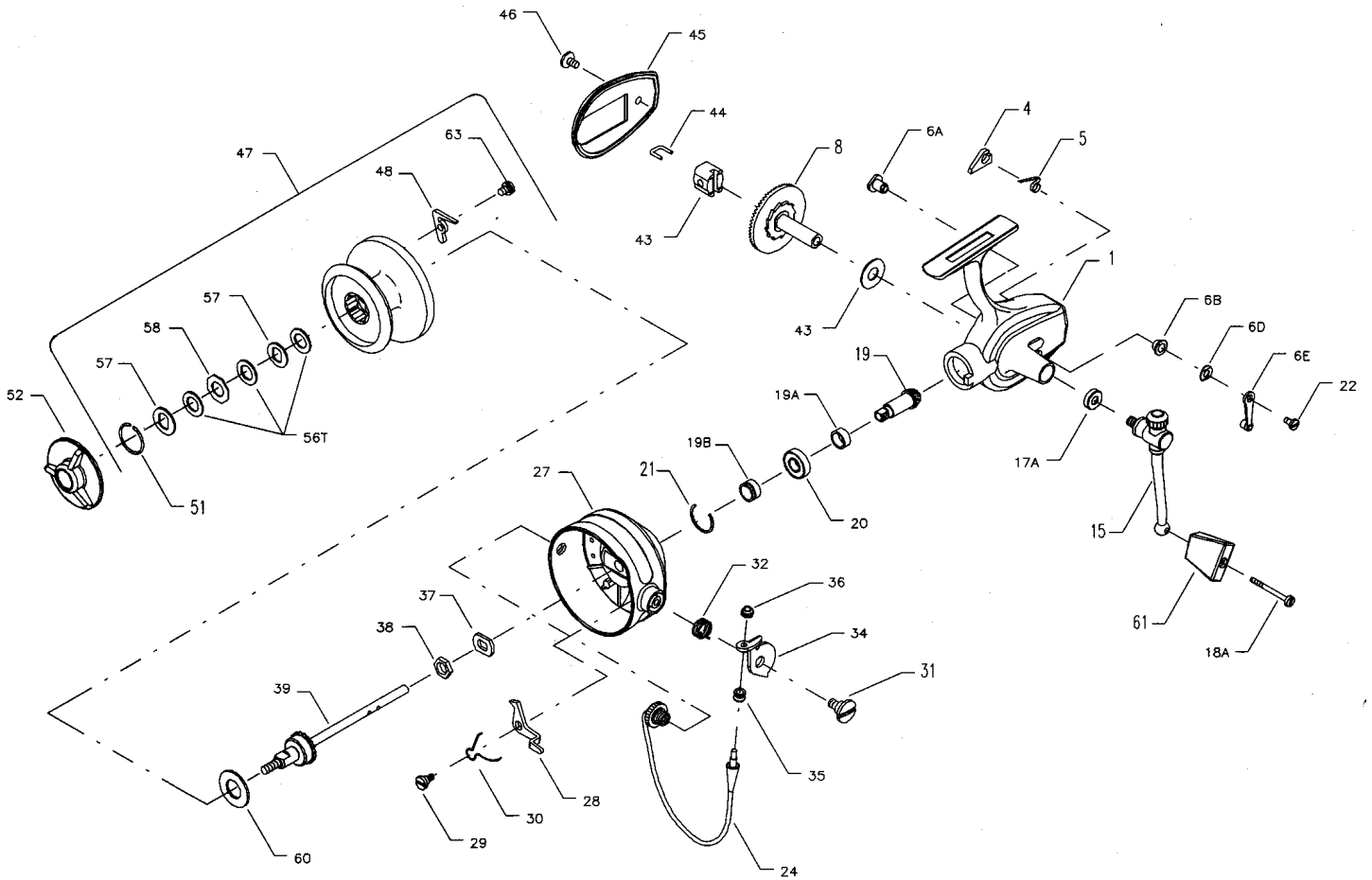




PARTS LIST FOR MODELS 720Z AND 722Z



| NO. | DESCRIPTION | NO. | DESCRIPTION | NO. | DESCRIPTION |
|-----|----------------------------------|----------|-------------|-----|------------------------|
| 1 | Housing w/Bushing | 1-720Z | | 28 | Bail Release Arm |
| | Housing w/Bushing | 1-722Z | | 29 | Bail Release Arm |
| 4 | Dog | 4-720 | | 30 | Bail Release Spring |
| 5 | Dog Spring | 5-720 | | 31 | Bail Screw |
| 6A | Eccentric | 6A-720 | | 32 | Bail Spring |
| 6B | Eccentric Liner | 6B-720Z | | 34 | Bail Arm |
| 6D | Eccentric Spring | 6D-720 | | 35 | Line Roller |
| 6E | Eccentric Lever | 6E-710 | | 36 | Bail Lock Nut |
| 8 | Main Gear w/Ratchet | 8-720 | | 37 | Rotor Cup Washer |
| | Main Gear w/Ratchet | 8-722 | | 38 | Rotor Cup Nut |
| 12 | Main Gear Thrust Washer | 12-722 | | 39 | Spool Shaft |
| 15 | Handle Assembly (Complete) | 15-720Z | | 43 | Crosswind Block |
| | Handle Assembly (Complete) | 15-722Z | | 44 | Crosswind Connector |
| 17A | Handle Cover Washer | 17A-720 | | 45 | Housing Plate |
| 18A | Handle Screw | 18A-720Z | | | Housing Plate |
| 19 | Pinion Gear | 19-720 | | 46 | Housing Plate Screw |
| | Pinion Gear | 19-722 | | 47 | Spool (Complete) |
| 19A | Gear End Spacer (722Z only) | 19A-722 | | | Spool (Complete) |
| 19B | Rotor End Spacer (722Z only) | 19B-722 | | 48 | Click Tongue |
| 20 | Pinion Bearing | 20-720 | | 51 | Retaining Spring |
| | Pinion Bearing | 20-722 | | 52 | Drag Knob |
| 20A | Pinion Thrust Washer (720Z only) | *20A-720 | | 56T | Drag Washer (Teflon®) |
| 21 | Bearing Retainer (722Z only) | 21-722 | | 57 | Metal Slot Washer |
| 22 | Eccentric Screw | 22-109 | | 58 | Metal Washer (Octagon) |
| 24 | Bail Wire | 24-720 | | 60 | Rear Drag Washer |
| 27 | Rotor Cup | 27-720Z | | 61 | Handle Knob |
| | Rotor Cup | 27-722Z | | 63 | Click Screw |
| | | | | | 63-349 |

*Not Shown