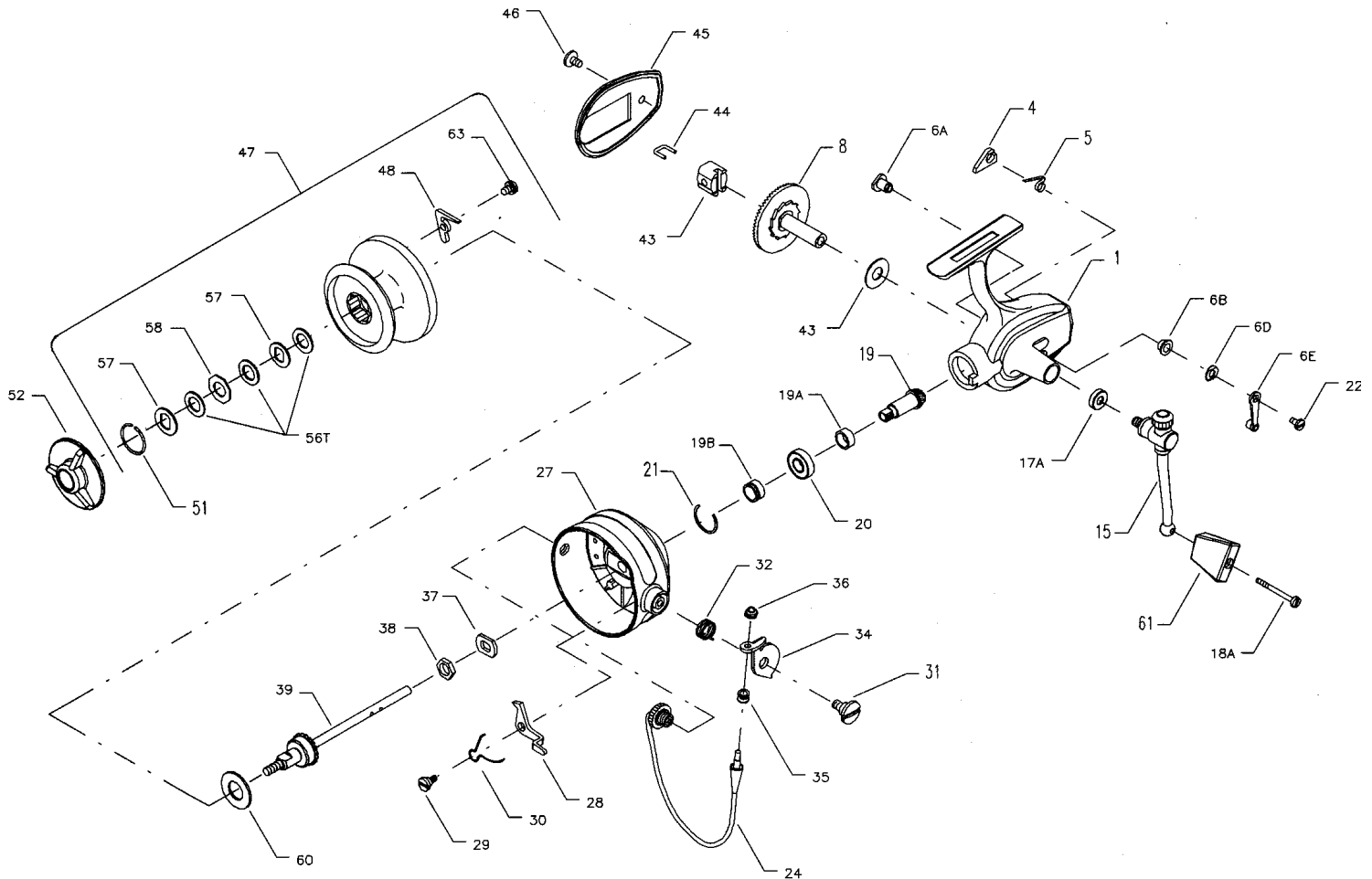




## PARTS LIST FOR MODEL 714Z



### KEY

NO.	DESCRIPTION	PART NO.
1	Housing w/Bushing	1-714Z
4	Dog	4-716
5	Dog Spring	5-716
6A	Eccentric	6A-716
6B	Eccentric Liner	6B-700Z
6D	Eccentric Spring	6D-716
6E	Eccentric Lever	6E-716
8	Main Gear w/Ratchet and Shaft	8-716
13	Crosswind Screw	13-716
14	Crosswind Roller	14-716
15	Handle (Complete)	15-714Z
17	Handle Washer	17-716
19	Pinion Gear	19-716
20	Pinion Bearing	20-722
21	Bearing Retainer	21-716
22	Eccentric Screw	22-109
22A	Bail Release Ramp	22-716
23	Bearing Retainer Screw (2 req.)	23-716
24	Bail Wire	24-714
27	Rotor Cup	27-714Z
28	Bail Release Arm	28-714
29	Release Arm Pin	29-716
30	Arm Release Spring	30-716
31	Bail Arm Screw	31-716

### KEY

NO.	DESCRIPTION	PART NO.
31A	Bail Screw	31A-716
32	Bail Spring	32-716
33	Bail Arm Bumper	33R-712
34	Bail Arm	34-716
35	Line Roller	35-716
36	Bail Lock Nut	36-700
37	Rotor Cup Washer	37-716
38	Rotor Cup Nut	38-720
39	Spool Shaft	39-716
40	Spool Sleeve	40-716
43	Crosswind Arm	43-716
44	Crosswind Shaft Screw	44-716
45	Housing Plate	45-714Z
46	Housing Plate Screw	46-716
47	Spool (Complete)	47-714Z
48	Click Spring	48-714
50	Release Arm Screw (2 req.)	50-712
50A	Click Spring Screw	50-716
52	Drag Knob	52-714Z
54	Drag Spring	54-714
56T	Drag Washer (Teflon®)	56T-714
57	Metal Keyed Washer	57-430
60	Rear Drag Knob	60-716
62A	Dog Screw	62A-716