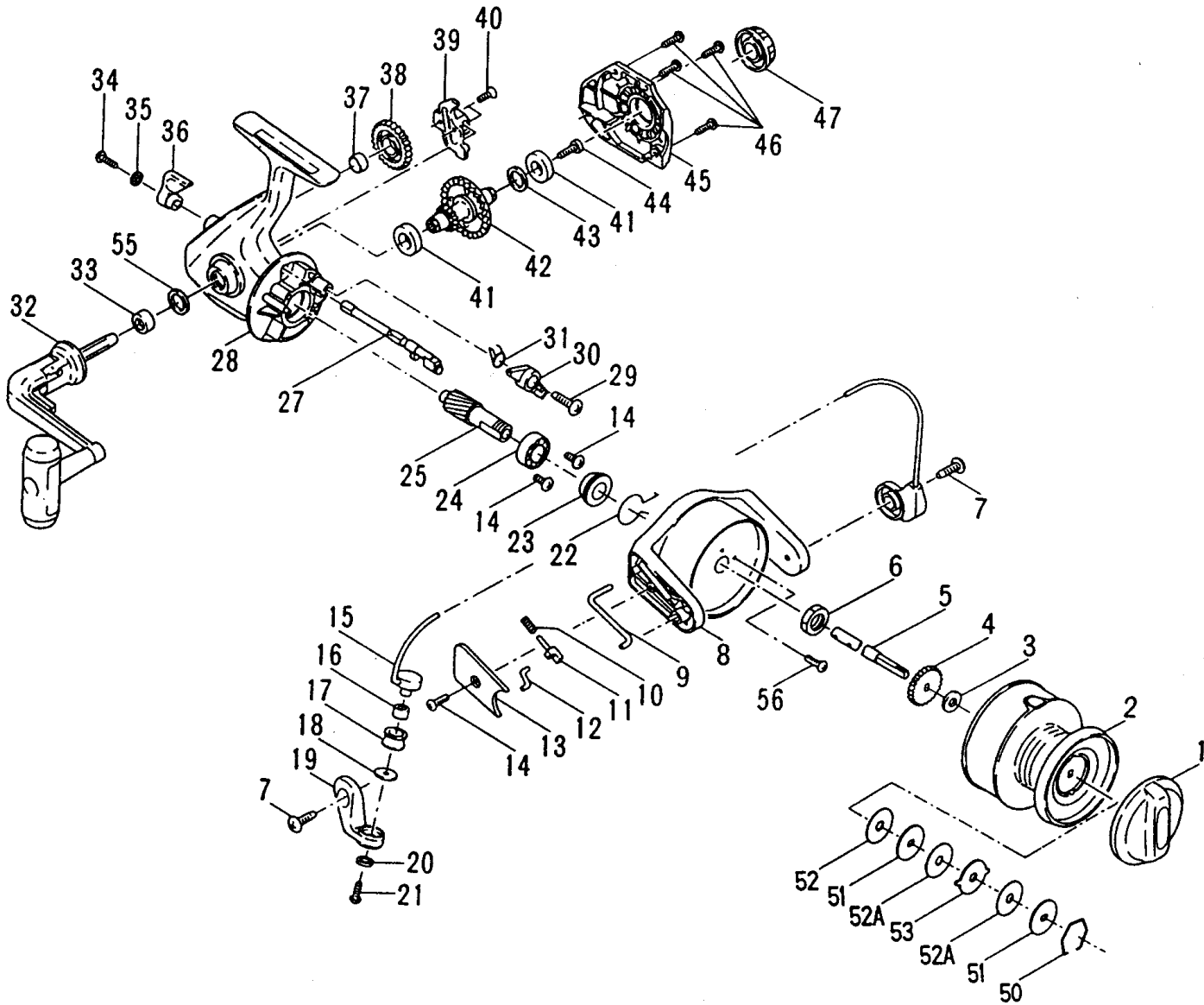




# PARTS LIST FOR MODEL 7000



KEY NO.	PART NO.	DESCRIPTION
1	052 6000	Drag Knob Asm. with Spring
2	047 7000	Spool Assembly
3	060 6000	Thrust Washer
4	040B7000	Click Ratchet
5	039 7000	Spool Shaft
6	038 6000	Rotor Nut
7	031A3000	Arm Screw (2)
8	027 7000	Rotor Cup
9	028A7000	Cam Lever
10	034C6000	Pivot Spring
11	034B6000	Pivot Shaft
12	034A3000	Pivot Arm
13	027A7000	Bail Pivot Cover
14	022 875	Screw (3)
15	024 6000	Bail Wire Assembly
16	035A3000	Line Roller Bushing
17	035 6000	Line Roller
18	132 6000	Roller Washer
19	034 3000	Bail Arm
20	022A875	Washer
21	036 1000	Bail Stud Screw
22	230 6000	Silent Dog Spring
23	019A6000	Pinion Spacer
24	020 6000	Ball Bearing
25	019 6000	Pinion Gear
27	006A6000	Eccentric Shaft
28	001 7000	Housing
29	003 6000	Dog Mounting Screw
30	004 6000	Anti-Reverse Dog
31	004A6000	Dog Spring
32	015 6000	Handle Assembly
33	015A3000	Handle Spacer
34	006F3000	Eccentric Lever Mtg. Screw
35	006G3000	Thrust Washer
36	006E3000	Eccentric Lever
37	231A3000	Crosswind Gear Bushing
38	231 6000	Crosswind Gear
39	043 6000	Crosswind Gear Block
40	044 1500	Screw (2)
41	002A6000	Cover & Housing Bushing (2)
42	008 6000	Main Gear
43	008A6000	Main Gear Shim
44	009A3000	Standard Driver Screw
45	045 6000	Housing Cover
46	046 1000	Cover Screw (4)
47	233 3000	Bearing Cover
**48	048 4000	Spool Click Tongue
**49	022 1000	Click Tongue Screw
50	051 6000	Drag Retaining Ring
51	057 6000	Keyed Drag Washer (2)
52	006 6000	Teflon Drag Washer (1)
52A	006 7000	Drag Washer HT-100 (2)
53	058 6000	Ear Drag Washer (1)
**54	040C4000	Click Washer
55	017 6000	Handle Washer
56	305 875	Rotor Nut Locking Screw