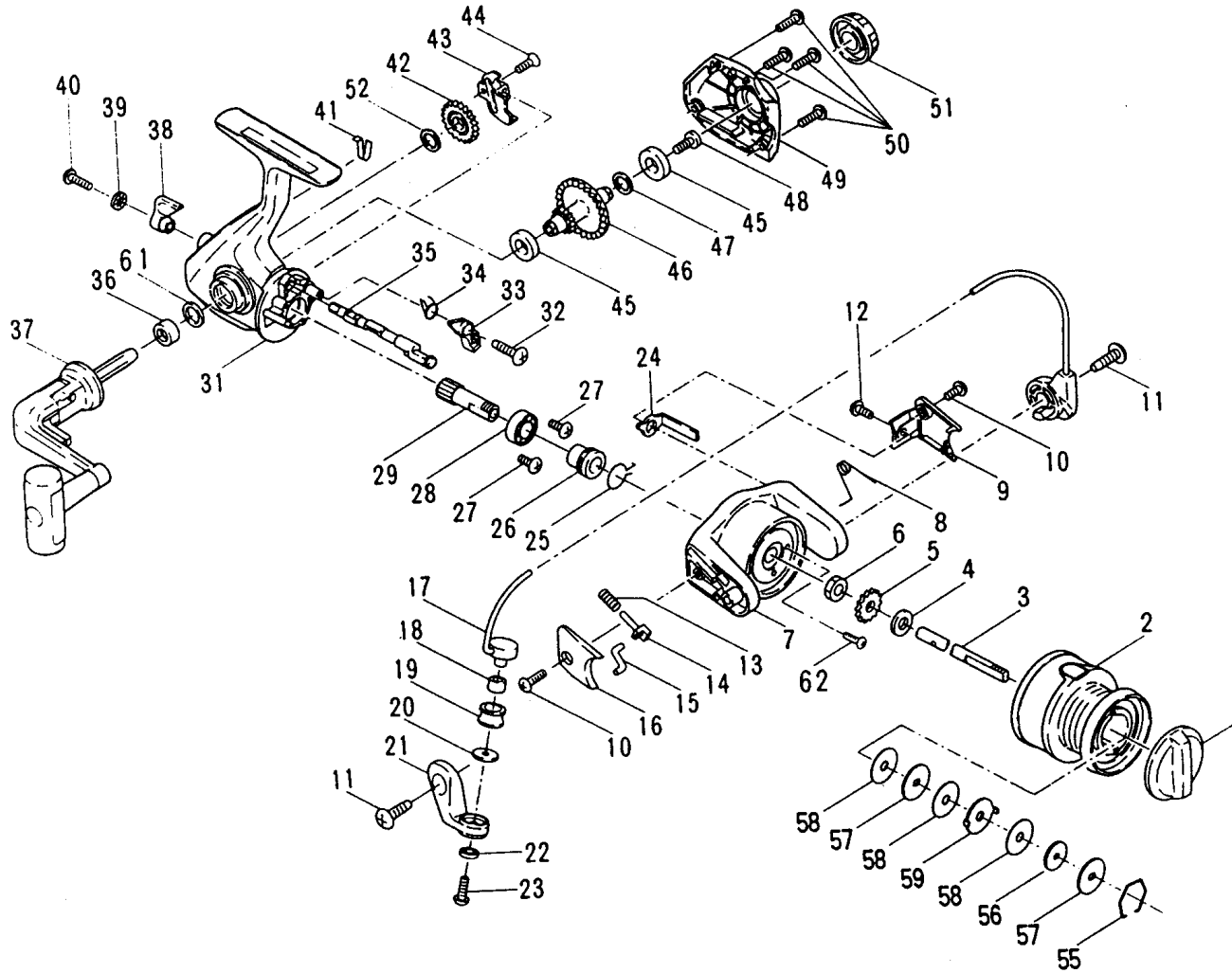




MODEL 1500

PARTS LIST FOR MODEL 1500



KEY

NO.	PART NO.	DESCRIPTION
1	052 1500	Drag Knob ASM. w/Spring
2	047 1500	Spool Assembly
3	039 1500	Spool Shaft
4	060 1500	Thrust Washer
5	040B1500	Click Ratchet
6	038 1000	Rotor Nut
7	027 1500	Rotor Cup
8	106 1500	Cam Lever Spring
9	227 1500	Cam Lever Cover
10	050 1000	Cover Screw (2)
11	031A1000	Arm Screw (2)
12	028B1500	Cam Lever Mtg. Screw
13	034C1500	Pivot Spring
14	034B1000	Pivot Shaft
15	034A1500	Pivot Arm
16	027A1500	Bail Pivot Cover
17	024 1500	Bail Wire Assembly
18	035A1000	Line Roller Bushing
19	035 1000	Line Roller
20	132 1000	Roller Washer
21	034 1500	Bail Arm
22	022A875	Washer
23	036 1000	Bail Stud Screw
24	028A1500	Cam Lever
25	230 1500	Silent Dog Spring
26	019A1500	Pinion Spacer
27	023 1000	Bearing Mtg. Screw (2)
28	020 1000	Ball Bearing
29	019 1500	Pinion Gear
31	001 1500	Housing
32	003 1500	Dog Mounting Screw
33	004 1500	Anti-Reverse Dog
34	004A1500	Dog Spring
35	006A1500	Eccentric Shaft
36	015A1000	Handle Spacer
37	015 1000	Handle Assembly
38	006E1000	Eccentric Lever
39	006G1000	Thrust Washer
40	006F1000	Ecc. Lever Mounting Scr.
41	006D1000	Ecc. Shaft Spring
42	231 1500	Crosswind Gear
43	043 1500	Crosswind Block
44	044 1500	Crosswind Block Screw
45	002A1000	Cover & HSG Bushing (2)
46	008 1500	Main Gear
47	008A1500	Main Gear Shim
48	009A1000	Standard Drive Screw
49	045 1500	Housing Cover
50	046 1000	Cover Screw (4)
51	233 1000	Bearing Cover
52	231A1500	Crosswind Gear Shim
	**048 1000	Spool Click Tongue
	**022 1000	Click Tongue Screw
55	051 1000	Drag Retaining Ring
56	052A1000	Drag Washer
57	057 1000	Keyed Drag Washer (2)
58	006 1000	Teflon Drag Washer (3)
59	058 1000	Ear Drag Washer (1)
	**040C4000	Washer
61	015B900	Handle Washer
62	305 875	Rotor Nut Locking Screw