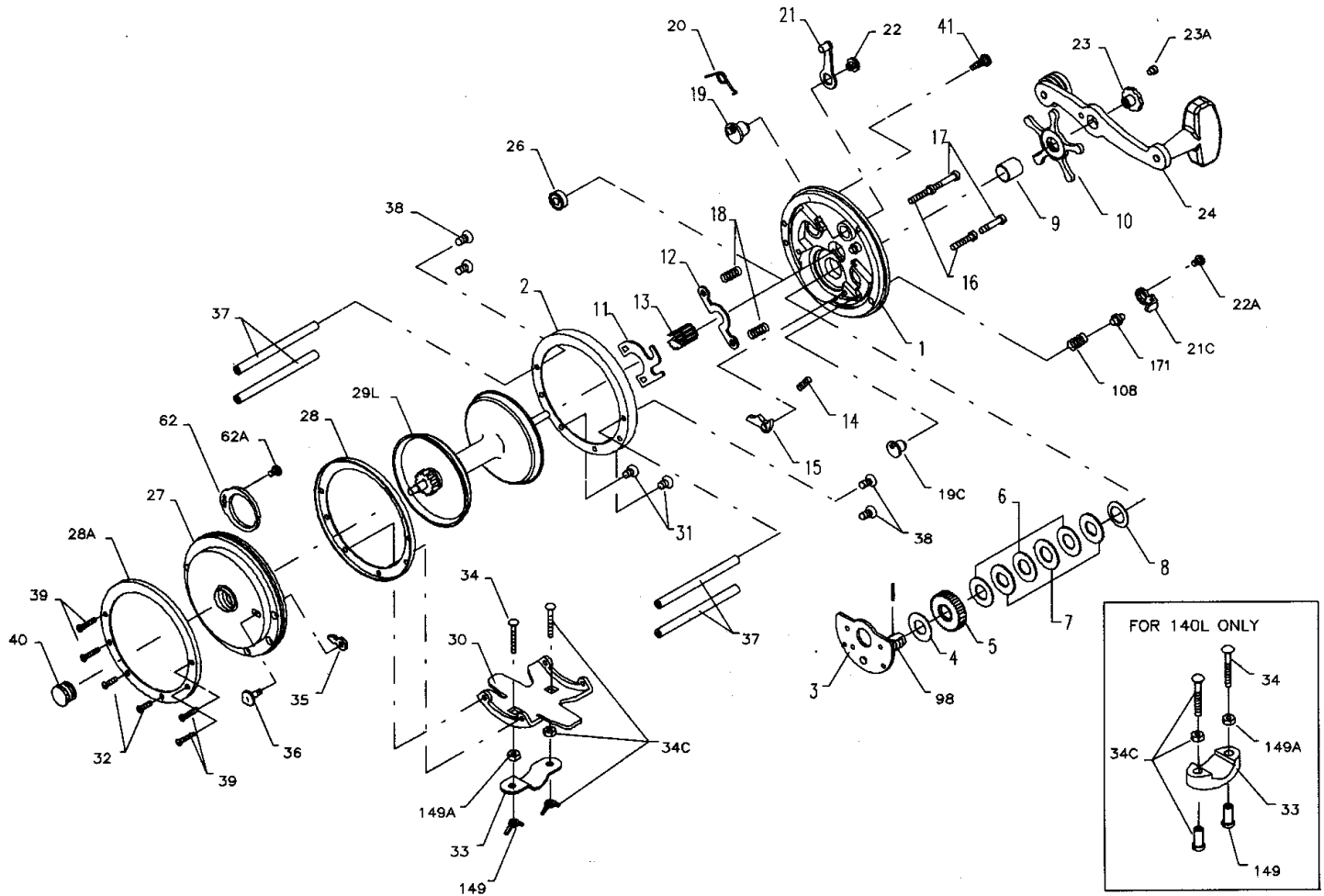




PARTS LIST FOR MODELS 140L AND 146L



KEY NO.	DESCRIPTION	PART NO.	KEY NO.	DESCRIPTION	PART NO.
1	Right Side Plate	1N-140	27	Left Side Plate	27-140
	Right Side Plate	1N-146	28	Outer Left Side Ring	28-140-0
2	R.S. Ring	2-200	28A	Inner Left Side Ring	2-155
3	Bridge w/Sleeve	3-200	29L	Spool	29L-140
4	Fiber Washer	4-155		Spool	29L-146
5	Main Gear	5-60	30	Stand (140)	30-200
6	Drag Washer (3 req.)	6-60		Stand (146)	30-49
7	Metal Washer Set	7C-60	31	Stand Screw (R.S.)	31-19
8	Tension Spring	8-60	32	Stand Screw (L.S.)	32-18
9	Spacing Sleeve	9-60	33	Rod Clamp (140)	33-113
10	Star Drag Wheel	10-140		Rod Clamp (146)	33-49
11	Eccentric Jack	11-200		Ringed Rod Clamp (Optional)	*33R-200
12	Pinion Yoke	12-155		Ringed Rod Clamp (146) (Optional)	*33R-49
13	Pinion	13-140	34	Clamp Screw (140) (2 req.)	34-45
14	Dog Spring	14-140		Clamp Screw (146) (2 req.)	34-49
15	Dog	15-140	34C	Rod Clamp Screw w/Nuts (140)	34C-45
16	Lower Bridge Screw	16-60		Rod Clamp Screw w/Nuts (146)	34C-49
17	Upper Bridge Screw	17-60	35	Click Tongue	35-155
18	Clutch Spring (2 req.)	18-60	36	Click Button	36-155
19	Eccentric	19-200	37	Frame Post (140)	37-67
19C	Eccentric	19-140S		Frame Post (140-146)	37-180
20	Eccentric Spring	20-155	38	R.S. Post Screw	38-7
21	Eccentric Lever	21-200	39	L.S. Post Screw	39-9
21C	Eccentric Lever	21-140S	40	L.S. Bearing	40-140
22	Eccentric Screw	22-99	41	Take Apart Thumb Screw	TA-200
22A	Eccentric Screw	22-109	98	Gear Sleeve	98-155
23	Handle Screw	23-60	108	Lever Spring	108-140
23A	Handle Lock Screw	110-60	149	Clamp Nut (140) (2 req.)	149-45
24	Handle	24-155		Wing Nut (146) (2 req.)	149-49
26	R.S. Bearing	26-140	149A	Hex Nut	149-200
			171	Eccentric Plunger	171-140

*Not Shown