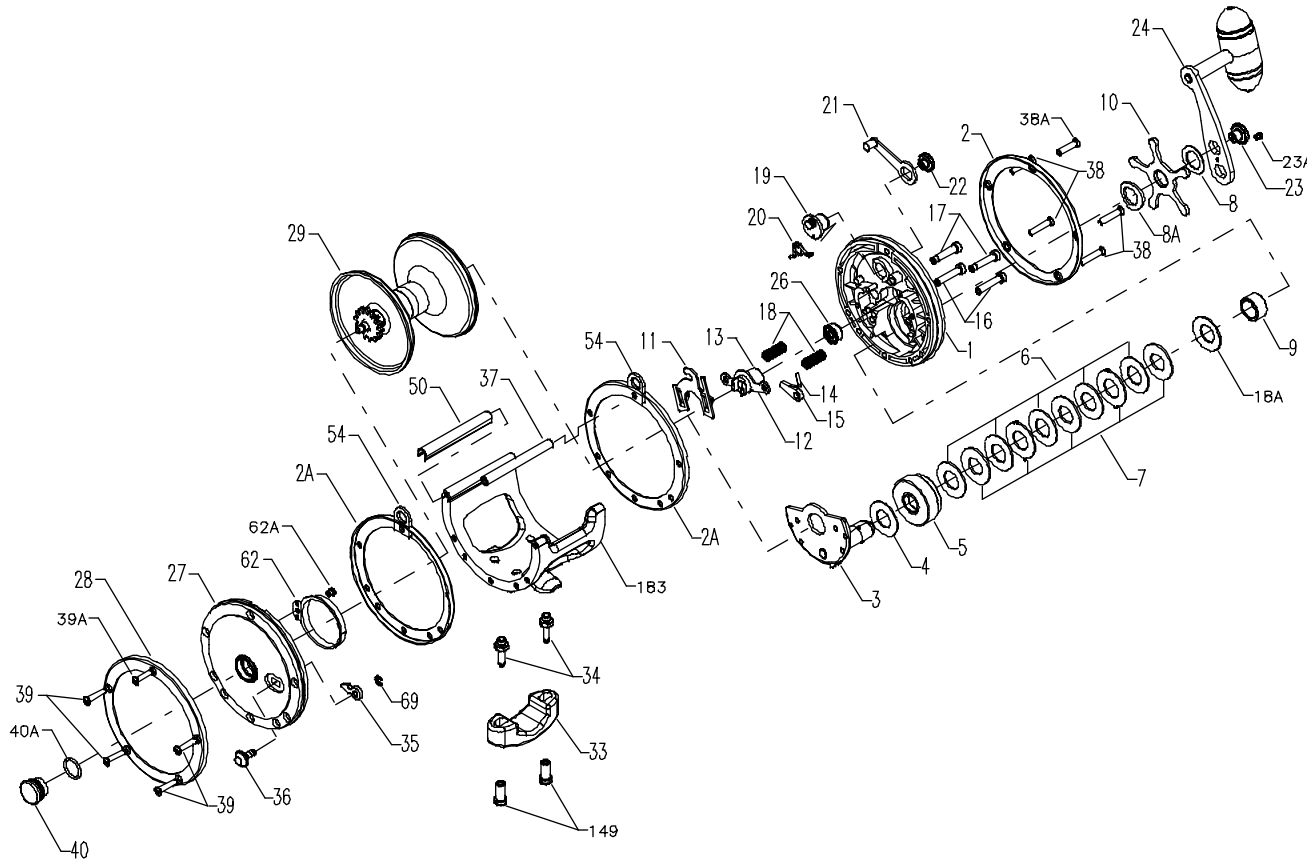




PARTS LIST FOR MODEL 114H



KEY NO.	PART NO.	DESCRIPTION
1	001 114H	Right Side Plate
2	002N114H	Outer Right Side Ring
2A	002 114-I	Inner Side Ring (2 req.)
3	003 114H	Bridge Assembly
4	004 115	Fiber Washer
5	005 115	Main Gear
6	006 115	Drag Washer (5 req.)
7	007C115	Metal Washer Set
8	008 114	Tension Spring
8A	008 115	Tension Spring
9	009 114H	Spacing Sleeve
10	010 114	Star Drag Wheel
11	011 114	Eccentric Jack
12	012 114	Pinion Yoke
13	013 114H	Pinion
14	014 114	Dog Spring
15	015 114H	Dog
16	016 114	Lower Bridge Screw (2 req.)
17	017 114	Upper Bridge Screw (2 req.)
18	018 114	Clutch Spring (2 req.)
18A	018 114H	Spring Disc
19	019 114	Eccentric
20	020 114	Eccentric Spring
21	021 114	Eccentric Lever
22	023 060	Eccentric Screw
23	023 116	Handle Screw
23A	110 060	Handle Lock Screw
24	024 057	Handle
26	026 116	R.S. Bearing
27	027N114H	Left Side Plate
28	002N114	Outer Left Side Ring
29	029L114HL	Spool
33	033 340	Rod Clamp
	*033R114	Ringed Rod Clamp (Optional)
34	034 975	Rod Clamp Screw (2 req.)
35	035 114	Click Tongue
36	036 114H	Click Button
37	037 114	Frame Post
38	038 114	R.S. Frame Screw (4 req.)
38A	039 012	R.S. Post Screw
39	039 114	L.S. Frame Screw (4 req.)
39A	032 021	L.S. Post Screw
40	**040 114HL	Left Side Bearing
40A	120 114H	Left Side Bearing O-Ring
50	050 114HF	Frame Shield
54	054 114	Harness Lug (2 req.)
62	062 114	Click Spring
62A	063 209	Click Spring Screw
69	069B600	Retaining Ring
98	098 114	Gear Sleeve
149	149 045	Rod Clamp Nut (2 req.)
183	183 114HHF	Frame

**Owners of Older 114H reels must order 40-114H