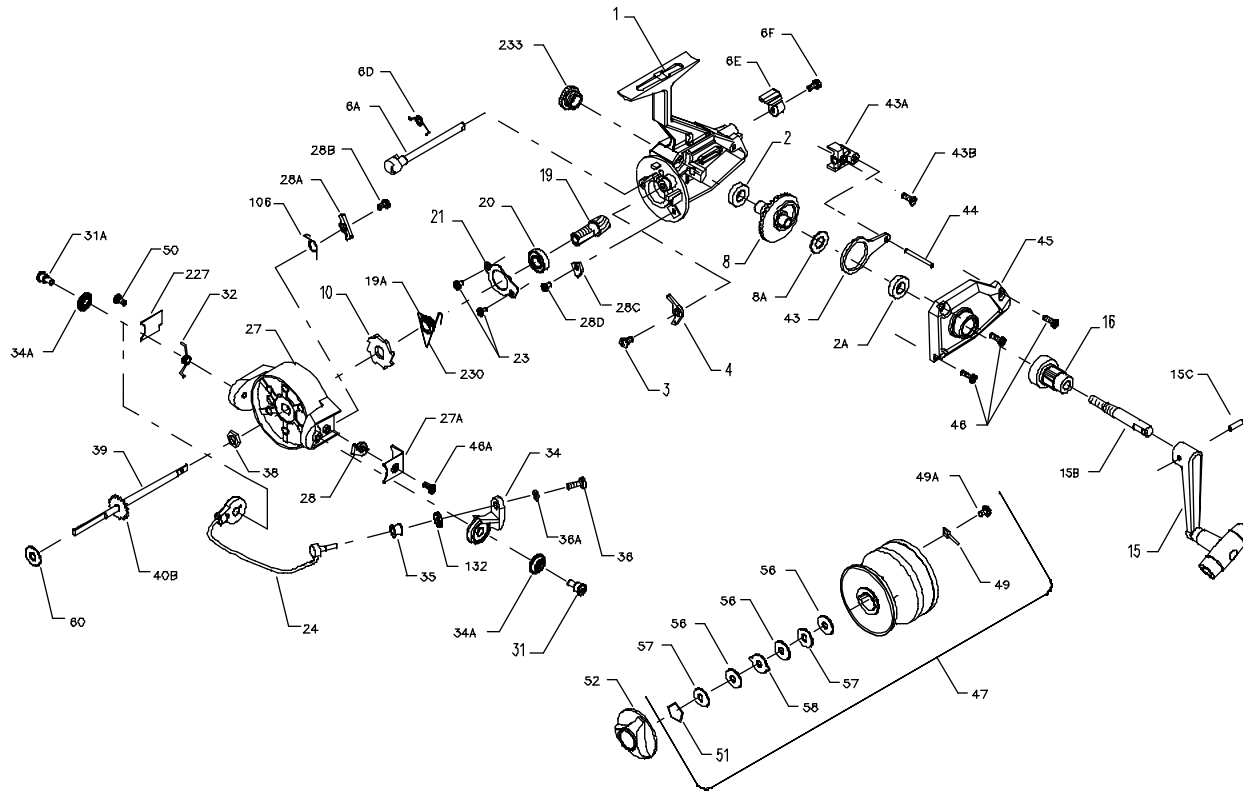




# PARTS LIST FOR MODEL 104



KEY NO.	PART NO.	DESCRIPTION
1	001 104	Housing w/Bushing & Emblem
2	002 103	Housing Bushing
2A	002 103	Cover Bushing
3	003 104	Dog Mounting Screw
4	004 104	Dog w/Finger Spring
6A	006A104	Eccentric
6D	006D104	Eccentric Spring
6E	006E103	Eccentric Lever
6F	006F101	Eccentric Lever Mounting Screw
8	008 104	Main Gear Assembly
8A	008A104	Main Gear Shim
10	010 104	Anti-Reverse Ratchet
15	015 104	Handle
15B	015B104	Handle Shaft
15C	015C103	Handle Pivot Pin
16	016 103	Handle Collar
19	019 104	Pinion Gear
19A	019A104	Pinion Gear Spacer
20	020 104	Ball Bearing
21	021 104	Bearing Cover
23	023 104	Bearing Cover Screw (2 req.)
24	024 104	Bail Wire
27	027 104	Rotor Cup
27A	027A104	Rotor End Cover
28	028 104	Trip Lever
28A	028A104	Cam Lever
28B	028B104	Cam Lever Mounting Screw
28C	028C104	Trip Cam
28D	046A103	Cam Mount Screw
31	031 103	Bail Arm Screw
31A	031 103	Bail Wire Mounting Screw
32	032 104	Bail Spring
34	034 104	Bail Arm
34A	034A105	Bail Arm Spacer
35	035 104	Line Roller
36	036 104	Bail Stud Screw
36A	036A105	Lock Washer
38	038 104	Rotor Nut
39	039 104	Crosswind Shaft
40B	040B104	Click Ratchet
43	043 104	Crosswind Arm
43A	043A104	Crosswind Block
43B	043B105	Crosswind Arm Screw
44	044 104	Crosswind Arm Pin
45	045 104	Housing Cover w/Bushing
46	046 103	Housing Cover Screw (3 req.)
46A	031 101	Rotor End Cover Screw
47	047 104	Spool (Complete)
49	049 103	Click Spring
49A	003 101	Click Spring Screw
50	050 104	Bail Spring Cover Screw
51	051 104	Retaining Ring
52	052 104	Drag Knob
56	056T104	Drag Washer (Teflon) (3 req.)
57	057 104	Drag Washer (Keyed) (2 req.)
58	058 104	Drag Washer (Ear)
60	060 103	Thrust Washer (Teflon)
106	106 104	Cam Lever Spring
132	132 104	Roller Washer
227	227 104	Bail Spring Cover
230	230 103C	Silent Dog Spring
233	233 104	Housing Handle Cap