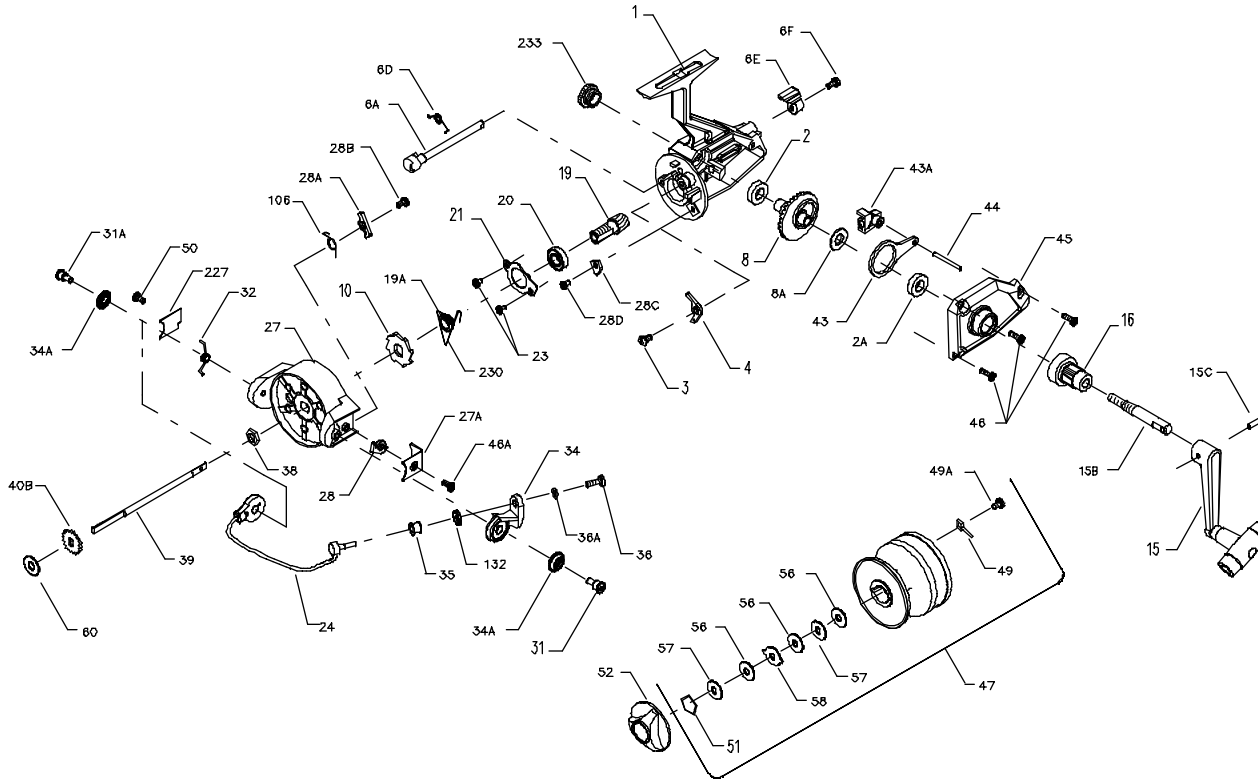




PARTS LIST FOR MODEL 103C



KEY NO.	PART NO.	DESCRIPTION
1	001 103C	Housing w/Bushing & Emblem
2	002 103	Housing Bushing
2A	002 103	Cover Bushing
3	003 103	Dog Mounting Screw
4	004 103C	Dog w/Finger Spring
6A	006A103	Eccentric
6D	006D103	Eccentric Spring
6E	006E103	Eccentric Lever
6F	006F101	Eccentric Lever Mounting Screw
8	008 103C	Main Gear Assembly
8A	008A103	Main Gear Shim
10	010 103C	Anti-Reverse Ratchet
15	015 103	Handle
15B	015B103	Handle Shaft
15C	015C103	Handle Pivot Pin
16	016 103	Handle Collar
19	019 103C	Pinion Gear
19A	019A103C	Bearing Cover Spacer
20	020 103	Ball Bearing
21	021 103C	Bearing Cover
23	023 103	Bearing Cover Screw (2 req.)
24	024 103	Bail Wire
27	027 103C	Rotor Cup
27A	027A103	Rotor End Cover
28	028 103	Trip Lever
28A	028A103	Cam Lever
28B	028B103	Cam Lever Mounting Screw
28C	028C103	Trip Cam
28D	046A103	Cam Mount Screw
31	031 103	Bail Arm Screw
31A	031 103	Bail Wire Mounting Screw
32	032 103	Bail Spring
34	034 103	Bail Arm
34A	034A103	Bail Arm Spacer
35	035 103	Line Roller
36	036 101	Bail Stud Screw
36A	036A103	Lock Washer
38	038 103	Rotor Nut
39	039 103C	Crosswind Shaft
40B	040B103	Click Ratchet
43	043 103C	Crosswind Arm
43A	043A103C	Crosswind Block
44	044 103C	Crosswind Arm Pin
45	045 103C	Housing Cover w/Bushing
46	046 103	Housing Cover Screw (3 req.)
46A	046A103	Rotor End Cover Screw
47	047 103	Spool (Complete)
49	049 103	Click Spring
49A	003 101	Click Spring Screw
50	023 103	Bail Spring Cover Screw
51	051 103	Retaining Ring
52	052 103	Drag Knob
56	056T103	Drag Washer (Teflon) (3 req.)
57	057 103	Drag Washer (Keyed) (2 req.)
58	058 103	Drag Washer (Ear)
60	060 103	Thrust Washer (Teflon)
106	106 103	Cam Lever Spring
132	132 103	Roller Washer
227	227 103	Bail Spring Cover
230	230 103C	Silent Dog Spring
233	233 103	Housing Handle Cap