

Ersatzteil-Preisliste Price-List for Spare Parts

No. 1



Sport
für den Mann
im Mann

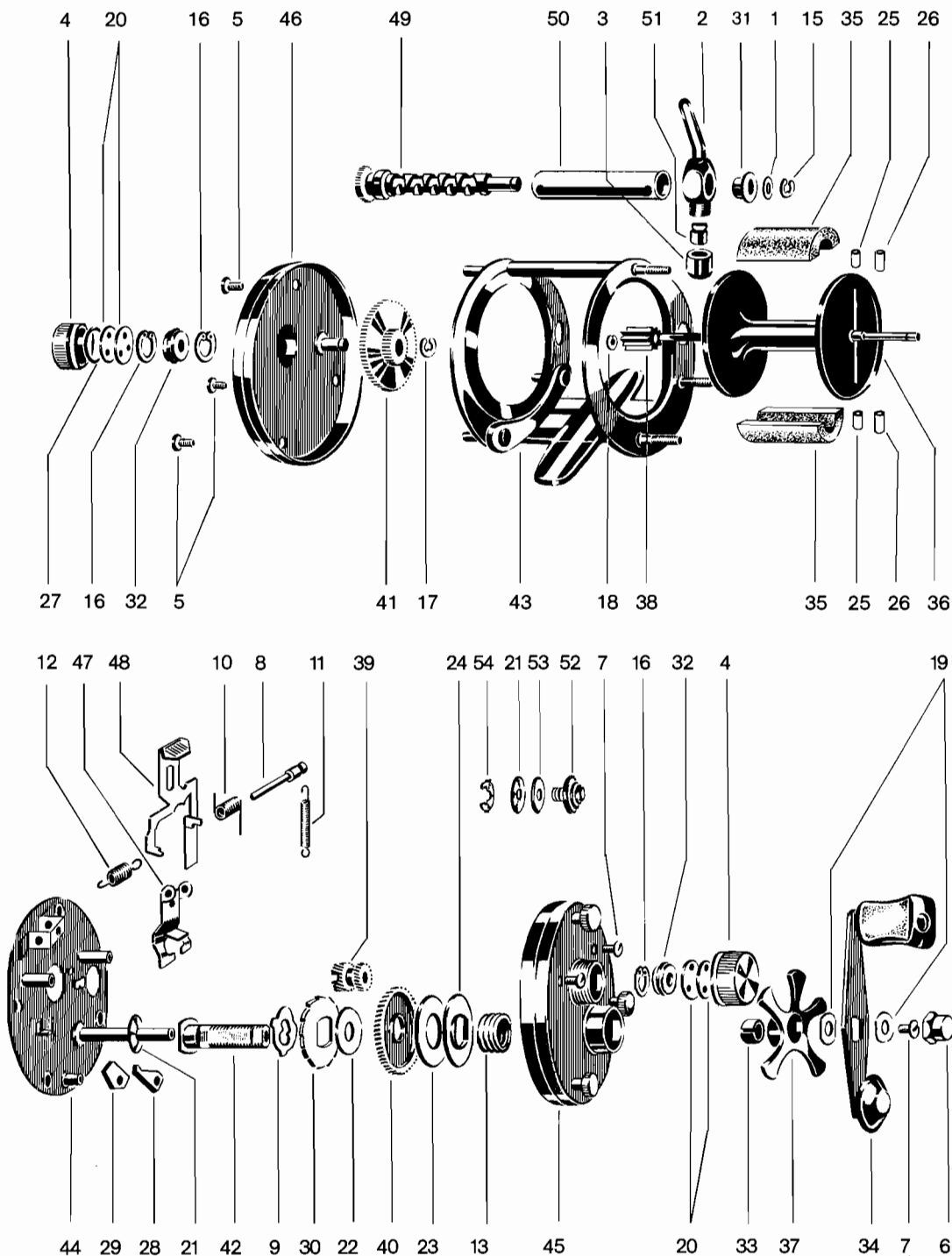
D-A-M

Multirollen · Multiplier Reels
Quick Champion 700, 700 B, 800, 800 B

THE REEL DOCTOR
WWW.REELDR.COM

Teileabbildung/Spare Parts

Hinweis: Schematische Darstellungen bei einzelnen Rollentypen im Aussehen leicht abweichend. Lieferung des gewünschten Teiles erfolgt entsprechend der angegebenen Bestell-Nr.
Hint: When ordering a spare part please insure that you quote the correct order number for your type of reel.



No	Part No	der Teile	of Spare Parts	700	700E	800	800E
1	3100006	U-Scheibe	lock washer	●	●	●	●
2	914 5000	Schnurführer kpl.	line-guide, comp.	●	●	●	●
3	914 5010	Verschlußmutter	cover nut	●	●	●	●
4	914 5022	Verschlußmutter	cover nut	●	●	●	●
5	914 5012	Zylinderschraube	cylinder screw	●	●	●	●
6	914 5013	Hutmutter	hat nut	●	●	●	●
7	914 5030	Schraube M3 x 5	screw M3 x 5	●	●	●	●
8	914 5050	Lagerstift	bearing pin	●	●	●	●
9	914 5052	Schaltelement	control element	●	●	●	●
10	914 5070	Drehfeder	changing spring	●	●	●	●
11	914 5071	Zugfeder, längs	tension spring, along	●	●	●	●
12	914 5072	Zugfeder, quer	tension spring, cross	●	●	●	●
13	914 5073	Druckfeder	compression spring	●	●	●	●
15	914 5090	Sicherungsscheibe	safety disc	●	●	●	●
16	914 5091	Sicherungsring	safety disc	●	●	●	●
17	914 5092	Sicherungsscheibe	safety disc	●	●	●	●
18	914 5096	Seeger-Halbmondring	safety disc	●	●	●	●
19	914 5097	Sicherungsscheibe	safety disc	●	●	●	●
20	914 5121	Lochscheibe	slot plate	●	●	●	●
21	914 5123	U-Scheibe, gewölbt	washer (arched)	●	●	●	●
22	914 5161	Bremsscheibe	brake disc	●	●	●	●
23	914 5162	Bremsscheibe	brake disc	●	●	●	●
24	914 5163	Flächenscheibe	plane wheel	●	●	●	●
25	914 5180	Fliehgewicht	centrifugal weight	●	●	●	●
26	914 5181	Fliehgewicht	centrifugal weight	●	●	●	●
27	914 5182	Dichtring	joint ring	●	●	●	●
28	914 5201	Sperrklinke	ratchet pawl	●	●	●	●
29	914 5202	Schleifblech	wearing plate	●	●	●	●
30	914 5203	Sperrad	ratchet wheel	●	●	●	●
31	914 5220	Lager	bearing	●	●	●	●
32	914 5231	Gleitlager	slide bearing	●	●	●	●
32	914 5480	Kugellager	ball bearing				
33	914 5233	Druckstück	carrying piece	●	●	●	●
34	914 5280	Kurbel, kpl.	crank arm, comp.	●		●	
34	914 5281	Kurbel, kpl.	crank arm, comp.		●		●
35	914 5375	Korkringhälften	cork rings	●			
35	914 5376	Korkringhälften	cork rings			●	●
36	914 5391	Spule, kpl.	spool, comp.	●	●		
36	914 5393	Spule, kpl.	spool, comp.			●	●
37	914 5470	Bremsmutter, kpl.	brake nut, comp.	●	●	●	●
38	914 5502	Ritzel	pinion	●	●	●	●
39	914 5507	Ritzel-Antrieb	driving pinion	●		●	
39	914 5513	Ritzel-Antr. Schnellgang	driving pinion		●		●
40	914 5509	Antriebsrad	driving wheel	●		●	
40	914 5512	Antriebsrad, Schnellgang	driving wheel		●		●
41	914 5511	Zahnradpaar	tooth wheel pair	●	●	●	●
42	914 5540	Bremshülse	brake spindle	●	●	●	●
43	914 5562	Gehäuserahmen, kpl.	case frame, comp.	●	●		
43	914 5563	Gehäuserahmen, kpl.	case frame, comp.			●	●
44	914 5626	Montageplatte	mount plate	●	●	●	●
45	914 5637	Deckel, Antriebsseite	cover driving	●		●	
45	914 5638	Deckel, Antriebsseite	cover driving		●		●
46	914 5610	Deckel	cover	●			
46	914 5611	Deckel	cover		●		
46	914 5615	Deckel	cover			●	
46	914 5616	Deckel	cover				●
47	914 5690	Ritzelheber	pinion lever	●	●	●	●
48	914 5691	Schieber	bolt	●	●	●	●
49	914 5770	Kreuzschnecke, kpl.	cross worm, comp.	●	●		
49	914 5771	Kreuzschnecke, kpl.	cross worm, comp.			●	●
50	914 5772	Führungsrohr	guide tube	●	●		
50	914 5773	Führungsrohr	guide tube			●	●
51	914 5774	Gleitstein	slide stone	●	●	●	●
52	914 5100	Schiebeknopf	sliding knob	●	●	●	●
53	914 5101	U-Scheibe	lock washer	●	●	●	●
54	914 5102	Sicherungsscheibe	safety disc	●	●	●	●