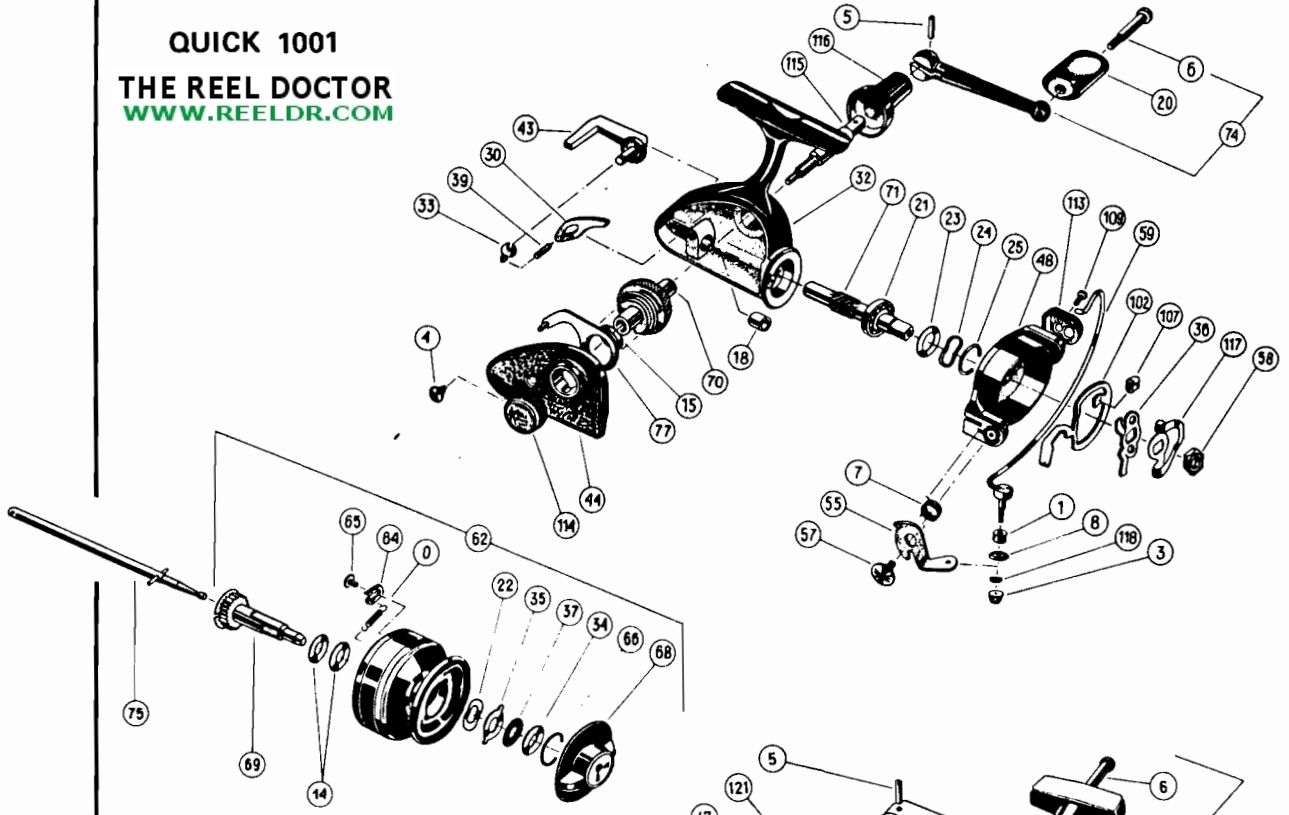
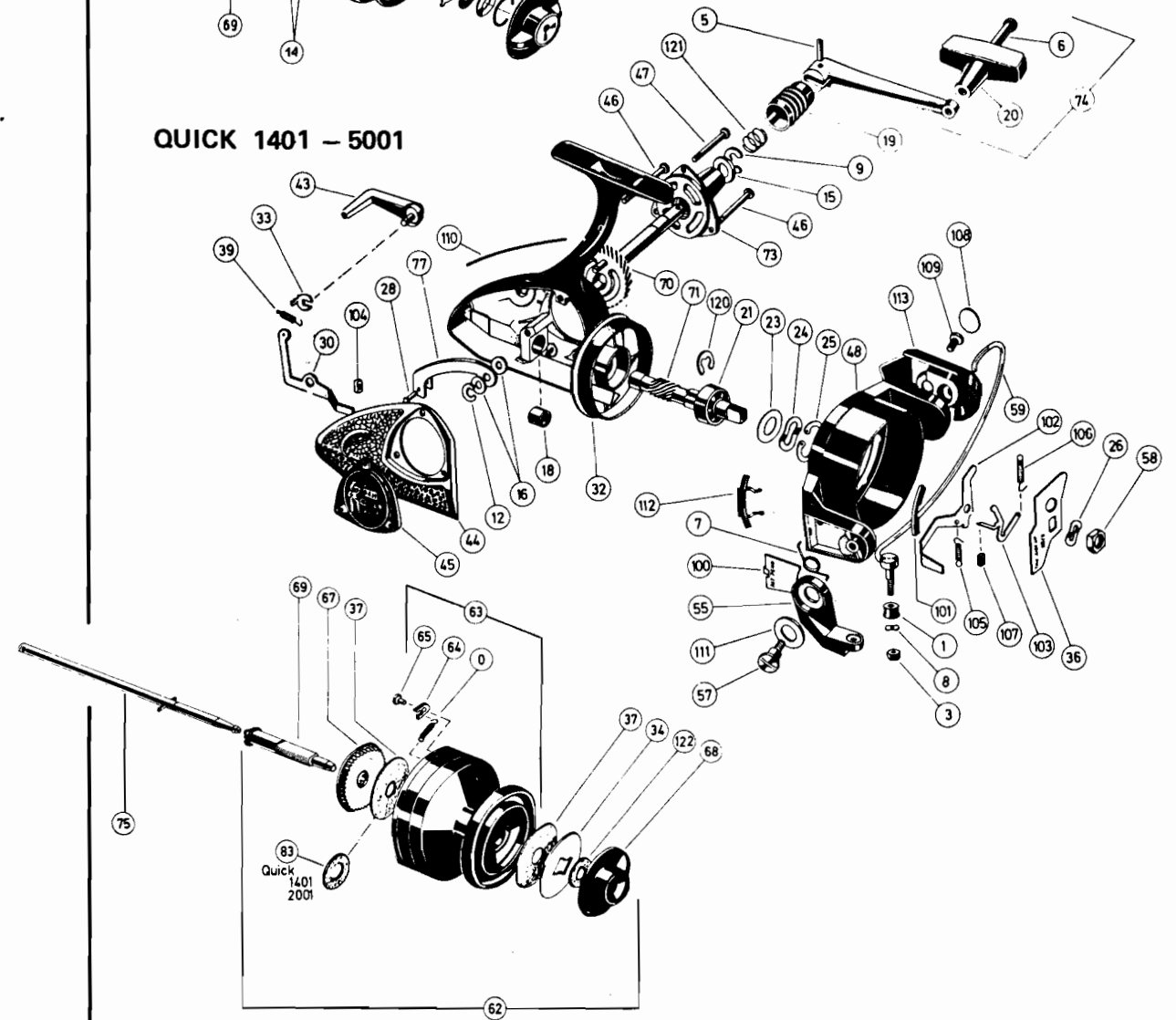


QUICK 1001
THE REEL DOCTOR
WWW.REELDR.COM



QUICK 1401 - 5001



Ersatzteil-Preisliste 79/80

Price-List for Spare Parts



THE REEL DOCTOR
WWW.REELDR.COM

Quick 1001 – 5001

Stationärrollen · Spinning Reels

Deutsche Angelgeräte Manufaktur
D·A·M Hellmuth Kuntze GmbH & Co. KG ·
D 1000 Berlin 65 und D 8820 Gunzenhausen

| Fig. No. | Best. No. Part. No. | Technische Bezeichnung der Teile | Technical Description of Spare Parts | QUICK | | | | |
|----------|---------------------|----------------------------------|--------------------------------------|-------|------|------|------|------|
| | | | | 1001 | 1401 | 2001 | 3001 | 5001 |
| 0 | 910 3310 | Zugfeder | tension spring | • | | | | |
| 0 | 910 0016 | Zugfeder | tension spring | | • | • | • | • |
| 1 | 910 0019 | Schnurführer | line guide | • | | | | |
| 1 | 910 0020 | Schnurführer | line guide | | • | • | • | • |
| 3 | 910 4060 | Sechskantmutter | plane nut | • | | | | |
| 3 | 910 4071 | Sechskanthutmutter | hexagon nut | | • | • | • | • |
| 4 | 910 0028 | Flachkopfschraube | pinhead screw | • | | | | |
| 5 | 910 0043 | Paßkerbstift | pin | • | | | | |
| 5 | 910 0045 | Spannstift | tension pin | | • | • | • | |
| 5 | 910 0036 | Spannstift | tension pin | | | | | • |
| 6 | 910 0049 | Knebelschraube | grip screw | • | | | | |
| 6 | 910 4000 | Knebelschraube | grip screw | | • | • | | |
| 6 | 910 4001 | Knebelschraube | grip screw | | | | • | |
| 6 | 910 4002 | Knebelschraube | grip screw | | | | | • |
| 7 | 910 0062 | Drehfeder | changing spring | • | | | | |
| 7 | 910 3342 | Drehfeder | changing spring | | | | • | |
| 7 | 910 3343 | Drehfeder | changing spring | | | | | • |
| 7 | 910 3344 | Drehfeder | changing spring | | • | • | | |
| 8 | 910 3255 | Profilscheibe | washer | • | | | | |
| 8 | 910 4358 | U-Scheibe | washer | | • | • | • | • |
| 9 | 910 0072 | Sicherungsscheibe | safety disc | | • | • | • | |
| 9 | 910 3801 | Sicherungsscheibe | safety disc | | | | | • |
| 12 | 910 0078 | Wellensicherung | safety ring | | • | • | • | • |
| 14 | 910 4366 | U-Scheibe | washer | • | | | | |
| 15 | 910 4367 | U-Scheibe | washer | • | | | | |
| 15 | 910 0097 | U-Scheibe | washer | | • | • | • | |
| 15 | 910 4350 | U-Scheibe | washer | | | | | • |
| 16 | 910 0098 | U-Scheibe | washer | | • | • | • | • |
| 18 | 910 3130 | Ritzellager | pinion bearing | • | • | | | |
| 18 | 910 0353 | Ritzellager | pinion bearing | | | • | • | |
| 18 | 910 0132 | Ritzellager | pinion bearing | | | | | • |
| 19 | 910 4811 | Konterbuchse | counter nut | | • | • | • | |
| 19 | 910 4812 | Konterbuchse | counter nut | | | | | • |
| 20 | 910 4890 | Knebel | handle grip | • | | | | |
| 20 | 910 4891 | Knebel | handle grip | | • | • | | |
| 20 | 910 4892 | Knebel | handle grip | | | | • | |
| 20 | 910 4893 | Knebel | handle grip | | | | | • |
| 21 | 910 4902 | Kugellager | ball bearing | • | | | | |
| 21 | 910 4901 | Kugellager | ball bearing | | • | • | • | |
| 21 | 910 0177 | Kugellager | ball bearing | | | | | • |
| 22 | 910 3852 | Kugellagerausgleichsscheibe | spring ring for ball b. | • | | | | |
| 23 | 910 4365 | U-Scheibe | washer | • | | | | |
| 23 | 910 1156 | U-Scheibe | washer | | • | • | • | |
| 23 | 910 0556 | U-Scheibe | washer | | | | | • |
| 24 | 910 3855 | Kugellagerausgleichsscheibe | spring ring for ball b. | • | | | | |
| 24 | 910 1154 | Kugellagerausgleichsscheibe | spring ring for ball b. | | • | • | • | |

| Fig. No. | Best. No. Part. No. | Technische Bezeichnung der Teile | Technical Description of Spare Parts | QUICK | | | | |
|----------|---------------------|----------------------------------|--------------------------------------|-------|------|------|------|------|
| | | | | 1001 | 1401 | 2001 | 3001 | 5001 |
| 24 | 910 0557 | Kugellagerausgleichsscheibe | spring ring for ball b. | | | | | ● |
| 25 | 910 3804 | Sicherungsring | safety ring | ● | | | | |
| 25 | 910 1155 | Sicherungsring | safety ring | | | ● | ● | |
| 25 | 910 0558 | Sicherungsring | safety ring | | | | | ● |
| 26 | 910 3851 | Federscheibe | spring-washer | | ● | | ● | |
| 26 | 910 0560 | Federscheibe | spring-washer | | | | | ● |
| 28 | 910 4292 | Führungsstift | sliding pin | | | ● | ● | |
| 28 | 910 4294 | Führungsstift | sliding pin | | ● | | | |
| 28 | 910 4295 | Führungsstift | sliding pin | | | | | ● |
| 30 | 910 3225 | Sperrhebel | stop lever | ● | | | | |
| 30 | 910 3226 | Sperrhebel | stop lever | | ● | | | |
| 30 | 910 3224 | Sperrhebel | stop lever | | | ● | | |
| 30 | 910 3221 | Sperrhebel | stop lever | | | | ● | |
| 30 | 910 3222 | Sperrhebel | stop lever | | | | | ● |
| 32 | 910 3014 | Gehäuse, kpl. | housing, cpl. | ● | | | | |
| 32 | 910 3015 | Gehäuse, kpl. | housing, cpl. | | | ● | | |
| 32 | 910 3016 | Gehäuse, kpl. | housing, cpl. | | | | ● | |
| 32 | 910 3017 | Gehäuse, kpl. | housing, cpl. | | | | | ● |
| 32 | 910 3026 | Gehäuse, kpl. | housing, cpl. | | ● | | | |
| 33 | 910 3250 | Exzenterscheibe | excenter wheel | ● | ● | ● | ● | ● |
| 34 | 910 3264 | Flächenscheibe | plane wheel | ● | | | | |
| 34 | 910 3265 | Flächenscheibe | plane wheel | | ● | ● | ● | |
| 34 | 910 3266 | Flächenscheibe | plane wheel | | | | | ● |
| 35 | 910 3278 | Mitnehmerscheibe | driving plate | ● | | | | |
| 36 | 910 3277 | Mitnehmerscheibe | driving plate | ● | | | | |
| 36 | 910 3276 | Mitnehmerscheibe | driving plate | | ● | ● | | |
| 36 | 910 3274 | Mitnehmerscheibe | driving plate | | | | ● | |
| 36 | 910 3275 | Mitnehmerscheibe | driving plate | | | | | ● |
| 37 | 910 3293 | Bremsscheibe | brake disc | ● | | | | |
| 37 | 910 3297 | Bremsscheibe | brake disc | | ● | ● | ● | ● |
| 39 | 910 3317 | Zugfeder | tensing spring | ● | | | | ● |
| 39 | 910 3311 | Zugfeder | tensing spring | | ● | ● | ● | |
| 43 | 910 3363 | Hebel | lever | | | ● | ● | ● |
| 43 | 910 3365 | Hebel | lever | ● | | | | |
| 43 | 910 3366 | Hebel | lever | | ● | | | |
| 44 | 910 3394 | Deckel, kpl. | cover, cpl. | ● | | | | |
| 44 | 910 3403 | Deckel, kpl. | cover, cpl. | | ● | | | |
| 44 | 910 3395 | Deckel, kpl. | cover, cpl. | | | ● | | |
| 44 | 910 3396 | Deckel, kpl. | cover, cpl. | | | | | |
| 44 | 910 3397 | Deckel, kpl. | cover, cpl. | | | | | ● |
| 45 | 910 3434 | Verschlußdeckel, kpl. | case cover, cpl. | | ● | | | |
| 45 | 910 3435 | Verschlußdeckel, kpl. | case cover, cpl. | | | ● | | |
| 45 | 910 3436 | Verschlußdeckel, kpl. | case cover, cpl. | | | | ● | |
| 45 | 910 3438 | Verschlußdeckel, kpl. | case cover, cpl. | | | | | ● |
| 46 | 910 3505 | Linsenschraube | case cover screw | | ● | | | |
| 46 | 910 3502 | Linsenschraube | case cover screw | | | ● | ● | |
| 46 | 910 3503 | Linsenschraube | case cover screw | | | | | ● |
| 47 | 910 3506 | Linsenschraube | case cover screw | | ● | | | |
| 47 | 910 3500 | Linsenschraube | case cover screw | | | ● | ● | |
| 47 | 910 3502 | Linsenschraube | case cover screw | | | | | ● |
| 48 | 910 3603 | Flansch, Fertigteil | flange, prefab | ● | | | | |
| 48 | 910 3604 | Flansch, Fertigteil | flange, prefab | | ● | ● | | |
| 48 | 910 3605 | Flansch, Fertigteil | flange, prefab | | | | ● | |
| 48 | 910 3607 | Flansch, Fertigteil | flange, prefab | | | | | ● |
| 55 | 910 3937 | Winkelschalthebel | angle lever | ● | | | | |
| 55 | 910 3948 | Winkelschalthebel | angle lever | | ● | ● | ● | ● |
| 57 | 910 3966 | Lagerschraube | bearing screw | ● | | | | |
| 57 | 910 3965 | Lagerschraube | bearing screw | | ● | ● | ● | ● |
| 58 | 910 4064 | Sechskantmutter | hexagon nut | ● | | | | |
| 58 | 910 4065 | Sechskantmutter | hexagon nut | | ● | ● | ● | |
| 58 | 910 4066 | Sechskantmutter | hexagon nut | | | | | ● |
| 59 | 910 4087 | Bügel, kpl. | bail arm, cpl. | ● | | | | |
| 59 | 910 4096 | Bügel, kpl. | bail arm, cpl. | | ● | ● | | |
| 59 | 910 4092 | Bügel, kpl. | bail arm, cpl. | | | | ● | |
| 59 | 910 4091 | Bügel, kpl. | bail arm, cpl. | | | | | ● |
| 62 | 104 2120 | Spule | spool | ● | | | | |
| 62 | 104 1730 | Spule | spool | | ● | | | |
| 62 | 104 1770 | Spule | spool | | | ● | | |
| 62 | 104 1780 | Spule | spool | | | | ● | |
| 63 | 104 2060 | Spule | spool | | | | | ● |
| 64 | 910 4266 | Knarrzeiger | ratchet | ● | ● | ● | ● | ● |
| 65 | 910 4280 | Ansatzniet | pin | ● | ● | ● | ● | ● |
| 66 | 910 4327 | Sprengring | safety ring | ● | | | | |
| 67 | 910 4347 | Knarrad | ratchet wheel | | ● | ● | | |
| 67 | 910 4345 | Knarrad | ratchet wheel | | | | ● | |

| Fig. No. | Best. No. Part. No. | Technische Bezeichnung der Teile | Technical Description of Spare Parts | QUICK | | | | |
|----------|---------------------|----------------------------------|--------------------------------------|-------|------|------|------|------|
| | | | | 1001 | 1401 | 2001 | 3001 | 5001 |
| 67 | 910 4346 | Knarrad | ratchet wheel | | | | | • |
| 68 | 910 4457 | Bremsmutter, kpl. | brake nut, cpl. | • | | | | |
| 68 | 910 4455 | Bremsmutter, kpl. | brake nut, cpl. | | • | • | • | |
| 68 | 910 4456 | Bremsmutter, kpl. | brake nut, cpl. | | | | | • |
| 69 | 910 4494 | Bremshülse, kpl. | brake spindle, cpl. | • | | | | |
| 69 | 910 4496 | Bremshülse, kpl. | brake spindle, cpl. | | • | | | |
| 69 | 910 4498 | Bremshülse, kpl. | brake spindle, cpl. | | | • | | |
| 69 | 910 4497 | Bremshülse, kpl. | brake spindle, cpl. | | | | • | |
| 70 | 910 4575 | Antriebsrad, kpl. | driving gear, cpl. | • | | | | |
| 70 | 910 4577 | Antriebsrad, kpl. | driving gear, cpl. | | • | | | |
| 70 | 910 4580 | Antriebsrad, kpl. | driving gear, cpl. | | | • | | |
| 70 | 910 4578 | Antriebsrad, kpl. | driving gear, cpl. | | | | • | |
| 70 | 910 4579 | Antriebsrad, kpl. | driving gear, cpl. | | | | | • |
| 71 | 910 4693 | Ritzel, Fertigteil | pinion, prefab | • | | | | |
| 71 | 910 4703 | Ritzel, Fertigteil | pinion, prefab | | • | | | |
| 71 | 910 4695 | Ritzel, Fertigteil | pinion, prefab | | | • | • | |
| 71 | 910 4696 | Ritzel, Fertigteil | pinion, prefab | | | | | • |
| 73 | 910 4796 | Lagerdeckel, kpl. | bearing cover, cpl. | | • | | | |
| 73 | 910 4797 | Lagerdeckel, kpl. | bearing cover, cpl. | | | • | • | |
| 73 | 910 4798 | Lagerdeckel, kpl. | bearing cover, cpl. | | | | | • |
| 74 | 910 4873 | Kurbel, kpl. | crank arm, cpl. | • | | | | |
| 74 | 910 4870 | Kurbel, kpl. | crank arm, cpl. | | • | | | |
| 74 | 910 4871 | Kurbel, kpl. | crank arm, cpl. | | | | • | |
| 74 | 910 4872 | Kurbel, kpl. | crank arm, cpl. | | | | | • |
| 75 | 910 4990 | Achse, kpl. | axle, cpl. | • | | | | |
| 75 | 910 4997 | Achse, kpl. | axle, cpl. | | • | | | |
| 75 | 910 4998 | Achse, kpl. | axle, cpl. | | | • | | |
| 75 | 910 4999 | Achse, kpl. | axle, cpl. | | | | • | |
| 75 | 910 5000 | Achse, kpl. | axle, cpl. | | | | | • |
| 77 | 910 5020 | Führungsbügel | guide bail | | • | | | |
| 77 | 910 5026 | Führungsbügel, links | guide bail, left | | • | | | |
| 77 | 910 5021 | Führungsbügel | guide bail | | | • | | |
| 77 | 910 5025 | Führungsbügel, links | guide bail, left | | | • | | |
| 77 | 910 5022 | Führungsbügel | guide bail | | | | • | |
| 77 | 910 5024 | Führungsbügel, links | guide bail, left | | | | • | |
| 77 | 910 5023 | Führungsbügel | guide bail | | | | | • |
| 77 | 910 5027 | Führungsbügel, links | guide bail, left | | | | | • |
| 77 | 910 5030 | Führungsbügel, kpl. | guide bail, cpl. | • | | | | |
| 83 | 910 3294 | Bremsscheibe | brake disc | | • | • | | |
| 100 | 910 4136 | Abdeckblech | cover | | • | • | | |
| 100 | 910 4134 | Abdeckblech | cover | | | | • | |
| 100 | 910 4135 | Abdeckblech | cover | | | | | • |
| 101 | 910 4133 | Abdeckschieber | sliding cover | | • | • | • | • |
| 102 | 910 3919 | Rasthebel | stop lever | • | | | | |
| 102 | 910 3925 | Rasthebel | stop lever | | • | • | | |
| 102 | 910 3926 | Rasthebel | stop lever | | | | • | |
| 102 | 910 3928 | Rasthebel | stop lever | | | | | • |
| 103 | 910 4152 | Bremshebel | sliding brake lever | | • | • | | |
| 103 | 910 4151 | Bremshebel | sliding brake lever | | | | • | • |
| 104 | 910 4147 | Dämpfelement | noise damper | | • | • | • | • |
| 105 | 910 3317 | Zugfeder | tension spring | | • | • | | |
| 105 | 910 3313 | Zugfeder | tension spring | | | | • | • |
| 106 | 910 3314 | Zugfeder | tension spring | | | | • | • |
| 106 | 910 3316 | Zugfeder | tension spring | | • | • | | |
| 107 | 910 4148 | Bremsring | brake ring | • | • | • | | |
| 107 | 910 4146 | Bremsring | brake ring | | | | • | • |
| 108 | 910 0223 | High speed-Schild | high speed sign | | • | • | • | • |
| 109 | 910 3519 | Zylinderschraube | pan-head screw | • | | | | |
| 109 | 910 3504 | Linsenschraube | case cover screw | | • | • | • | • |
| 110 | 910 3346 | Hebelfeder | straight spring | | • | | | |
| 110 | 910 3347 | Hebelfeder | straight spring | | | • | | |
| 110 | 910 3349 | Hebelfeder | straight spring | | | | • | • |
| 111 | 910 3289 | Lagerscheibe | bearing disc | | • | • | • | • |
| 112 | 910 4140 | Schutzkappe | cover cap | | • | • | | |
| 113 | 910 3621 | Gegengewicht | conter weight | • | | | | |
| 113 | 910 3623 | Gegengewicht | conter weight | | • | • | • | |
| 113 | 910 3624 | Gegengewicht | conter weight | | | | | • |
| 114 | 910 4141 | Verschlußkappe | case cover | • | | | | |
| 115 | 910 3635 | Kurbelachse | crankshaft | • | | | | |
| 116 | 910 4138 | Abdeckhülse | cover spindle | • | | | | |
| 117 | 910 3890 | Federblech | spring cover | • | | | | |
| 118 | 910 3853 | Federscheibe | spring ring | • | | | | |
| 120 | 910 3801 | Sicherungsscheibe | safety disc | | • | | | |
| 121 | 910 3326 | Druckfeder | compression spring | | • | • | • | |
| 121 | 910 3327 | Druckfeder | compression spring | | | | | • |
| 122 | 910 3299 | Filzscheibe | washer | | | | | • |